

### FEATURES

- 10-bit dual transmit DAC**
- 125 MSPS update rate**
- Excellent SFDR to Nyquist @ 5 MHz output: 75 dBc**
- Excellent gain and offset matching: 0.1%**
- Fully independent or single resistor gain control**
- Dual port or interleaved data**
- On-chip 1.2 V reference**
- Single 5 V or 3.3 V supply operation**
- Power dissipation: 380 mW @ 5 V**
- Power-down mode: 50 mW @ 5 V**
- 48-lead LQFP**

### APPLICATIONS

- Communications**
- Base stations**
- Digital synthesis**
- Quadrature modulation**

### GENERAL DESCRIPTION

The AD9763 is a dual port, high speed, 2-channel, 10-bit CMOS DAC. It integrates two high quality 10-bit TxDAC+ cores, a voltage reference, and digital interface circuitry into a small 48-lead LQFP. The AD9763 offers exceptional ac and dc performance and supports update rates up to 125 MSPS.

The AD9763 is optimized for processing I and Q data in communications applications. The digital interface consists of two double-buffered latches as well as control logic. Separate write inputs allow data to be written to the two DAC ports, independent of one another. Separate clocks control the update rate of the DACs.

A mode control pin allows the AD9763 to interface to two separate data ports, or to a single interleaved high speed data port. In interleaving mode, the input data stream is demuxed into its original I and Q data and then latched. The I and Q data are then converted by the two DACs and updated at half the input data rate.

The GAINCTRL pin allows two modes for setting the full-scale current ( $I_{OUTFS}$ ) of the two DACs.  $I_{OUTFS}$  for each DAC can be set independently using two external resistors, or  $I_{OUTFS}$  for both DACs can be set by using a single external resistor (see the Gain Control Mode section for important date code information on this feature).

The DACs utilize a segmented current source architecture combined with a proprietary switching technique to reduce glitch energy and to maximize dynamic accuracy. Each DAC

### FUNCTIONAL BLOCK DIAGRAM

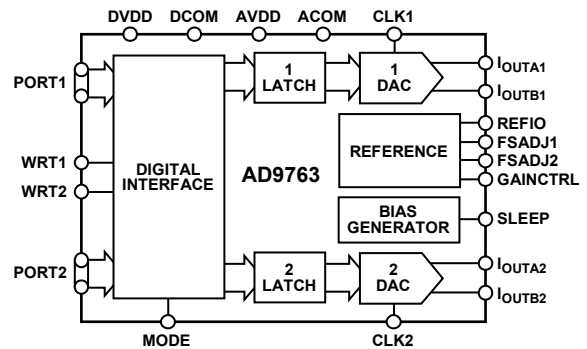


Figure 1.

provides differential current output, thus supporting single-ended or differential applications. Both DACs can be simultaneously updated and provide a nominal full-scale current of 20 mA. The full-scale currents between each DAC are matched to within 0.1%. The AD9763 is manufactured on an advanced, low cost, CMOS process. It operates from a single supply of 3.3 V to 5.0 V and consumes 380 mW of power.

### PRODUCT HIGHLIGHTS

1. The AD9763 is a member of a pin-compatible family of dual TxDACs providing 8-bit, 10-bit, 12-bit, and 14-bit resolution.
2. Dual 10-Bit, 125 MSPS DACs: A pair of high performance DACs optimized for low distortion performance provide for flexible transmission of I and Q information.
3. Matching: Gain matching is typically 0.1% of full scale, and offset error is better than 0.02%.
4. Low Power: Complete CMOS dual DAC function operates on 380 mW from a 3.3 V to 5.0 V single supply. The DAC full-scale current can be reduced for lower power operation, and a sleep mode is provided for low power idle periods.
5. On-Chip Voltage Reference: The AD9763 includes a 1.20 V temperature-compensated band gap voltage reference.
6. Dual 10-Bit Inputs: The AD9763 features a flexible dual-port interface allowing dual or interleaved input data.

#### Rev. D

Information furnished by Analog Devices is believed to be accurate and reliable. However, no responsibility is assumed by Analog Devices for its use, nor for any infringements of patents or other rights of third parties that may result from its use. Specifications subject to change without notice. No license is granted by implication or otherwise under any patent or patent rights of Analog Devices. Trademarks and registered trademarks are the property of their respective owners.

## TABLE OF CONTENTS

Features .....	1	Analog Outputs .....	14
Applications.....	1	Digital Inputs .....	15
Functional Block Diagram .....	1	DAC Timing.....	15
General Description .....	1	Input Clock and Data Timing Relationship .....	17
Product Highlights .....	1	Sleep Mode Operation .....	17
Revision History .....	2	Power Dissipation.....	17
Specifications.....	3	DAC Output Configurations .....	18
DC Specifications .....	3	Differential Coupling Using a Transformer.....	18
Dynamic Specifications .....	4	Differential Coupling Using an Op Amp.....	18
Digital Specifications .....	5	Single-Ended, Unbuffered Voltage Output.....	19
Absolute Maximum Ratings.....	6	Single-Ended, Buffered Voltage Output .....	19
Thermal Resistance .....	6	Power and Grounding Considerations, Power Supply Rejection.....	19
ESD Caution.....	6	Applications.....	21
Pin Configuration and Function Descriptions.....	7	Using the AD9763 for Quadrature Amplitude Modulation (QAM) .....	21
Typical Performance Characteristics .....	8	CDMA .....	22
Terminology .....	11	Evaluation Board .....	23
Theory of Operation .....	12	General Description.....	23
Functional Description.....	12	Outline Dimensions .....	29
Reference Operation .....	13	Ordering Guide .....	29
Gain Control Mode.....	13		
Reference Control Amplifier .....	13		
DAC Transfer Function .....	13		

## REVISION HISTORY

### 9/06—Rev. C to Rev. D

Updated Format.....	Universal
Renumbered Figures .....	Universal
Changes to Specifications Section .....	3
Changes to Applications Section .....	21
Updated Outline Dimensions .....	32
Changes to Ordering Guide .....	32

### 10/01—Rev. B to Rev. C

Changes to Figure 29.....	21
---------------------------	----

### 2/00—Rev. A to Rev. B

### 12/99—Rev. 0 to Rev. A

# SPECIFICATIONS

## DC SPECIFICATIONS

$T_{MIN}$  to  $T_{MAX}$ ,  $AVDD = 3.3\text{ V}$  or  $5\text{ V}$ ,  $DVDD = 3.3\text{ V}$  or  $5\text{ V}$ ,  $I_{OUTFS} = 20\text{ mA}$ , unless otherwise noted.

Table 1.

Parameter	Test Conditions/Comments	Min	Typ	Max	Unit
RESOLUTION		10			Bits
DC ACCURACY	Measured at $I_{OUTA}$ , driving a virtual ground				
Integral Linearity Error (INL)		-1	$\pm 0.1$	+1	LSB
Differential Linearity Error (DNL)		-0.5	$\pm 0.07$	+0.5	LSB
ANALOG OUTPUT					
Offset Error	Without internal reference	-0.02		+0.02	% of FSR
Gain Error		-2	$\pm 0.25$	+2	% of FSR
Gain Match	With internal reference	-5	$\pm 1$	+5	% of FSR
Full-Scale Output Current <sup>1</sup>		-1.6	$\pm 0.1$	+1.6	% of FSR
Output Compliance Range		-0.14		+0.14	dB
Output Resistance		+2.0		+20.0	mA
Output Capacitance		-1.0		+1.25	V
Output Resistance			100		k $\Omega$
Output Capacitance			5		pF
REFERENCE OUTPUT					
Reference Voltage		1.14	1.20	1.26	V
Reference Output Current <sup>2</sup>			100		nA
REFERENCE INPUT					
Input Compliance Range		0.1		1.25	V
Reference Input Resistance			1		M $\Omega$
Small Signal Bandwidth			0.5		MHz
TEMPERATURE COEFFICIENTS					
Offset Drift	Without internal reference		0		ppm of FSR/ $^{\circ}\text{C}$
Gain Drift		With internal reference		$\pm 50$	
Reference Voltage Drift			$\pm 100$		ppm of FSR/ $^{\circ}\text{C}$
Reference Voltage Drift			$\pm 50$		ppm/ $^{\circ}\text{C}$
POWER SUPPLY					
Supply Voltages					
AVDD		3	5	5.5	V
DVDD		2.7	5	5.5	V
Analog Supply Current ( $I_{AVDD}$ )			71	75	mA
Digital Supply Current ( $I_{DVDD}$ )	$f_{CLK} = 25\text{ MSPS}; f_{OUT} = 1.0\text{ MHz}$		5	7	mA
	$f_{CLK} = 100\text{ MSPS}; f_{OUT} = 1.0\text{ MHz}$			15	mA
Supply Current Sleep Mode ( $I_{AVDD}$ )			8	12.0	mA
Power Dissipation (5 V, $I_{OUTFS} = 20\text{ mA}$ )	$f_{CLK} = 25\text{ MSPS}; f_{OUT} = 1.0\text{ MHz}$		380	410	mW
	$f_{CLK} = 100\text{ MSPS}; f_{OUT} = 1.0\text{ MHz}$		420	450	mW
	Measured as unbuffered voltage output, with $I_{OUTFS} = 20\text{ mA}$ , $50\text{ }\Omega$ $R_{LOAD}$ at $I_{OUTA}$ and $I_{OUTB}$ , $f_{CLK} = 100\text{ MSPS}$ , $f_{OUT} = 40\text{ MHz}$		450		mW
Power Supply Rejection Ratio	$\pm 10\%$ power supply variation				
AVDD		-0.4		+0.4	% of FSR/V
DVDD		-0.025		+0.025	% of FSR/V
OPERATING RANGE		-40		+85	$^{\circ}\text{C}$

<sup>1</sup> An external buffer amplifier with input bias current  $< 100\text{ nA}$  should be used to drive any external load.

<sup>2</sup> Nominal full-scale current,  $I_{OUTFS}$ , is 32 times the  $I_{REF}$  current.

# AD9763

## DYNAMIC SPECIFICATIONS

$T_{MIN}$  to  $T_{MAX}$ ; AVDD = 3.3 V or 5 V, DVDD = 3.3 V or 5 V,  $I_{OUTFS} = 20$  mA, differential transformer coupled output, 50  $\Omega$  doubly terminated, unless otherwise noted.

Table 2.

Parameter	Min	Typ	Max	Unit
<b>DYNAMIC PERFORMANCE</b>				
Maximum Output Update Rate ( $f_{CLK}$ )	125			MSPS
Output Settling Time ( $t_{ST}$ ) (to 0.1%) <sup>1</sup>		35		ns
Output Propagation Delay ( $t_{PD}$ )		1		ns
Glitch Impulse		5		pV-s
Output Rise Time (10% to 90%) <sup>1</sup>		2.5		ns
Output Fall Time (90% to 10%) <sup>1</sup>		2.5		ns
Output Noise				
$I_{OUTFS} = 20$ mA		50		pA/ $\sqrt{\text{Hz}}$
$I_{OUTFS} = 2$ mA		30		pA/ $\sqrt{\text{Hz}}$
<b>AC LINEARITY</b>				
<b>Spurious-Free Dynamic Range to Nyquist</b>				
$f_{CLK} = 100$ MSPS; $f_{OUT} = 1.00$ MHz				
0 dBFS Output	69	78		dBc
−6 dBFS Output		74		dBc
−12 dBFS Output		69		dBc
−18 dBFS Output		61		dBc
$f_{CLK} = 65$ MSPS; $f_{OUT} = 1.00$ MHz		79		dBc
$f_{CLK} = 65$ MSPS; $f_{OUT} = 2.51$ MHz		78		dBc
$f_{CLK} = 65$ MSPS; $f_{OUT} = 5.02$ MHz		75		dBc
$f_{CLK} = 65$ MSPS; $f_{OUT} = 14.02$ MHz		66		dBc
$f_{CLK} = 65$ MSPS; $f_{OUT} = 25$ MHz		55		dBc
$f_{CLK} = 125$ MSPS; $f_{OUT} = 25$ MHz		67		dBc
$f_{CLK} = 125$ MSPS; $f_{OUT} = 40$ MHz		60		dBc
<b>Spurious-Free Dynamic Range Within a Window</b>				
$f_{CLK} = 100$ MSPS; $f_{OUT} = 1.00$ MHz; 2 MHz Span	78	85		dBc
$f_{CLK} = 50$ MSPS; $f_{OUT} = 5.02$ MHz; 10 MHz Span		80		dBc
$f_{CLK} = 65$ MSPS; $f_{OUT} = 5.03$ MHz; 10 MHz Span		82		dBc
$f_{CLK} = 125$ MSPS; $f_{OUT} = 5.04$ MHz; 10 MHz Span		82		dBc
<b>Total Harmonic Distortion</b>				
$f_{CLK} = 100$ MSPS; $f_{OUT} = 1.00$ MHz		−77	−69	dBc
$f_{CLK} = 50$ MSPS; $f_{OUT} = 2.00$ MHz		−77		dBc
$f_{CLK} = 125$ MSPS; $f_{OUT} = 4.00$ MHz		−74		dBc
$f_{CLK} = 125$ MSPS; $f_{OUT} = 10.00$ MHz		−72		dBc
<b>Multitone Power Ratio (Eight Tones at 110 kHz Spacing)</b>				
$f_{CLK} = 65$ MSPS; $f_{OUT} = 2.00$ MHz to 2.99 MHz				
0 dBFS Output		76		dBc
−6 dBFS Output		74		dBc
−12 dBFS Output		71		dBc
−18 dBFS Output		67		dBc
<b>Channel Isolation</b>				
$f_{CLK} = 125$ MSPS; $f_{OUT} = 10$ MHz		85		dBc
$f_{CLK} = 125$ MSPS; $f_{OUT} = 40$ MHz		77		dBc

<sup>1</sup> Measured single-ended into 50  $\Omega$  load.

**DIGITAL SPECIFICATIONS**

$T_{MIN}$  to  $T_{MAX}$ ,  $AVDD = 3.3\text{ V}$  or  $5\text{ V}$ ,  $DVDD = 3.3\text{ V}$  or  $5\text{ V}$ ,  $I_{OUTFS} = 20\text{ mA}$ , unless otherwise noted.

**Table 3.**

Parameter	Min	Typ	Max	Unit
<b>DIGITAL INPUTS</b>				
Logic 1 Voltage @ $DVDD = 5\text{ V}$	3.5	5		V
Logic 1 Voltage @ $DVDD = 3.3\text{ V}$	2.1	3		V
Logic 0 Voltage @ $DVDD = 5\text{ V}$		0	1.3	V
Logic 0 Voltage @ $DVDD = 3.3\text{ V}$	0		0.9	V
Logic 1 Current	-10		+10	$\mu\text{A}$
Logic 0 Current	-10		+10	$\mu\text{A}$
Input Capacitance		5		pF
Input Setup Time ( $t_s$ )	2.0			ns
Input Hold Time ( $t_H$ )	1.5			ns
Latch Pulse Width ( $t_{LPW}$ , $t_{CPW}$ )	3.5			ns

**Timing Diagram**

See Table 2 and Table 3 for timing specifications.

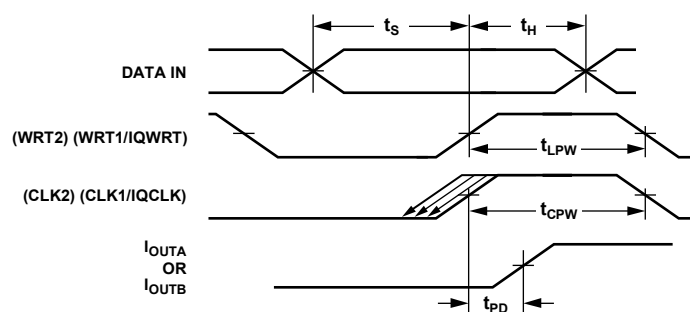


Figure 2. Timing Diagram for Dual and Interleaved Modes

## ABSOLUTE MAXIMUM RATINGS

Table 4.

Parameter	With Respect to	Rating
AVDD	ACOM	-0.3 V to +6.5 V
DVDD	DCOM	-0.3 V to +6.5 V
ACOM	DCOM	-0.3 V to +0.3 V
AVDD	DVDD	-6.5 V to +6.5 V
MODE, CLK1, CLK2, WRT1, WRT2	DCOM	-0.3 V to DVDD + 0.3 V
Digital Inputs	DCOM	-0.3 V to DVDD + 0.3 V
I <sub>OUTA1</sub> /I <sub>OUTA2</sub> , I <sub>OUTB1</sub> /I <sub>OUTB2</sub>	ACOM	-1.0 V to AVDD + 0.3 V
REFIO, FSADJ1, FSADJ2	ACOM	-0.3 V to AVDD + 0.3 V
GAINCTRL, SLEEP	ACOM	-0.3 V to AVDD + 0.3 V
Junction Temperature		+150°C
Storage Temperature		-65°C to +150°C
Lead Temperature (10 sec)		+300°C

Stresses above those listed under Absolute Maximum Ratings may cause permanent damage to the device. This is a stress rating only; functional operation of the device at these or any other conditions above those indicated in the operational section of this specification is not implied. Exposure to absolute maximum rating conditions for extended periods may affect device reliability.

## THERMAL RESISTANCE

$\theta_{JA}$  is specified for the worst-case conditions, that is, a device soldered in a circuit board for surface-mount packages.

Table 5. Thermal Resistance

Package Type	$\theta_{JA}$	Unit
48-lead LQFP	91	°C/W

## ESD CAUTION



**ESD (electrostatic discharge) sensitive device.** Charged devices and circuit boards can discharge without detection. Although this product features patented or proprietary protection circuitry, damage may occur on devices subjected to high energy ESD. Therefore, proper ESD precautions should be taken to avoid performance degradation or loss of functionality.

## PIN CONFIGURATION AND FUNCTION DESCRIPTIONS

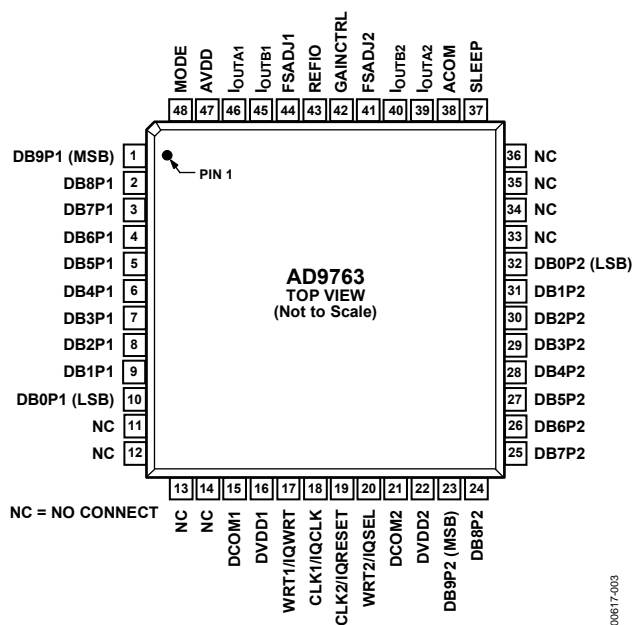


Figure 3. Pin Configuration

Table 6. Pin Function Descriptions

Pin No.	Name	Description
1 to 10	PORT1	Data Bit DB9P1 to Data Bit DB0P1.
11 to 14, 33 to 36	NC	No Connect.
15, 21	DCOM1, DCOM2	Digital Common.
16, 22	DVDD1, DVDD2	Digital Supply Voltage.
17	WRT1/IQWRT	Input Write Signal. This is the input write signal for PORT 1; IQWRT in interleaving mode.
18	CLK1/IQCLK	Clock Input. This is the clock input for DAC1; IQCLK in interleaving mode.
19	CLK2/IQRESET	Clock Input. This is the clock input for DAC2; IQRESET in interleaving mode.
20	WRT2/IQSEL	Input Write Signal. This is the input write signal for PORT 2; IQSEL in interleaving mode.
23 to 32	PORT2	Data Bit DB9P2 to Data Bit DB0P2.
37	SLEEP	Power-Down Control Input.
38	ACOM	Analog Common.
39, 40	IOUTA2, IOUTB2	PORT 2 Differential DAC Current Outputs.
41	FSADJ2	Full-Scale Current Output Adjust for DAC2.
42	GAINCTRL	Gain Control Mode. 0 = 2 resistor, 1 = 1 resistor.
43	REFIO	Reference Input/Output.
44	FSADJ1	Full-Scale Current Output Adjust for DAC1.
45, 46	IOUTB1, IOUTA1	PORT 1 Differential DAC Current Outputs.
47	AVDD	Analog Supply Voltage.
48	MODE	Mode Select. 1 = dual port, 0 = interleaved.

# TYPICAL PERFORMANCE CHARACTERISTICS

AVDD = 5 V, DVDD = 3.3 V, I<sub>OUTFS</sub> = 20 mA, 50 Ω doubly terminated load, differential output, T<sub>A</sub> = 25°C, SFDR up to Nyquist, unless otherwise noted.

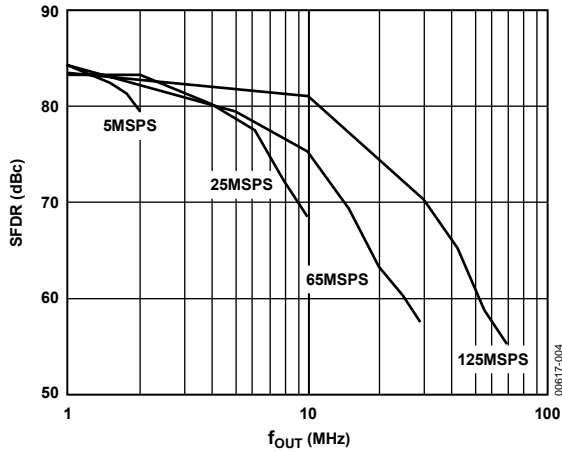


Figure 4. SFDR vs.  $f_{OUT}$  @ 0 dBFS

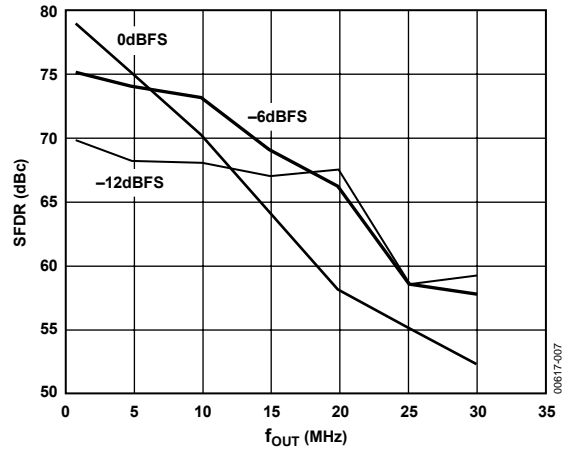


Figure 7. SFDR vs.  $f_{OUT}$  @ 65 MSPS

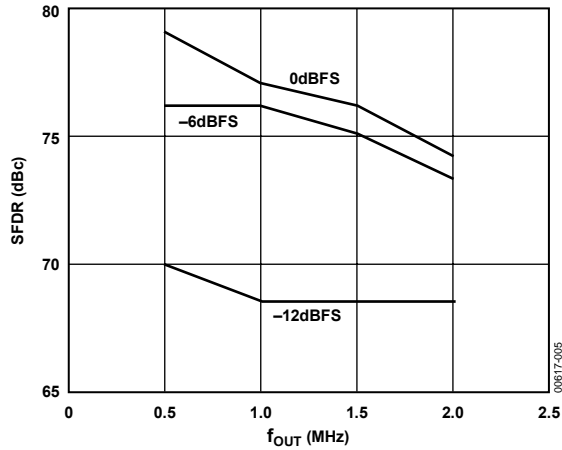


Figure 5. SFDR vs.  $f_{OUT}$  @ 5 MSPS

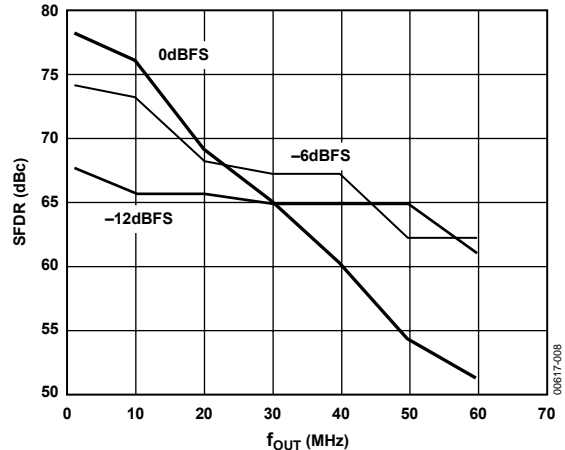


Figure 8. SFDR vs.  $f_{OUT}$  @ 125 MSPS

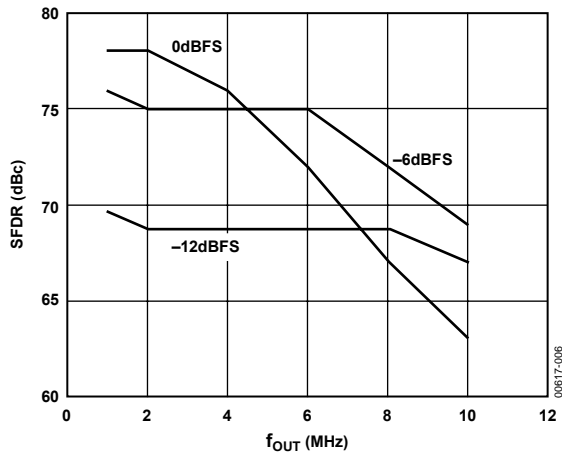


Figure 6. SFDR vs.  $f_{OUT}$  @ 25 MSPS

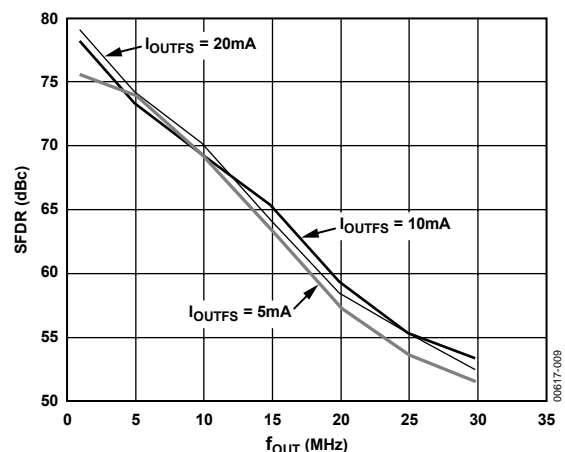


Figure 9. SFDR vs.  $f_{OUT}$  and  $I_{OUTFS}$  @ 65 MSPS and 0 dBFS



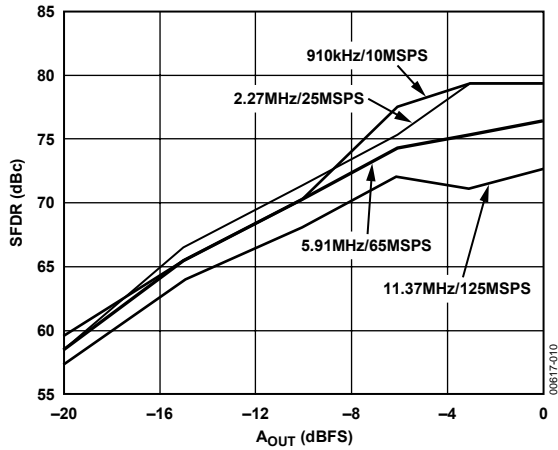


Figure 10. Single-Tone SFDR vs.  $A_{OUT}$  @  $f_{OUT} = f_{CLK}/11$

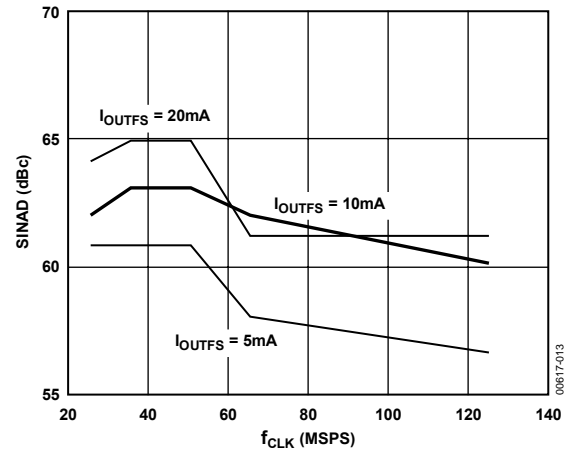


Figure 13. SINAD vs.  $f_{CLK}$  and  $I_{OUTFS}$  @  $f_{OUT} = 5$  MHz and 0 dBFS

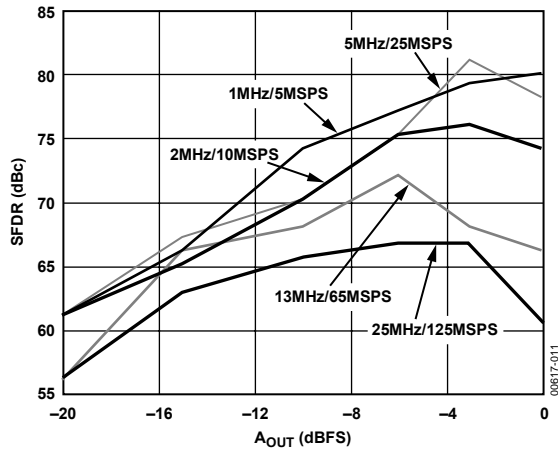


Figure 11. Single-Tone SFDR vs.  $A_{OUT}$  @  $f_{OUT} = f_{CLK}/5$

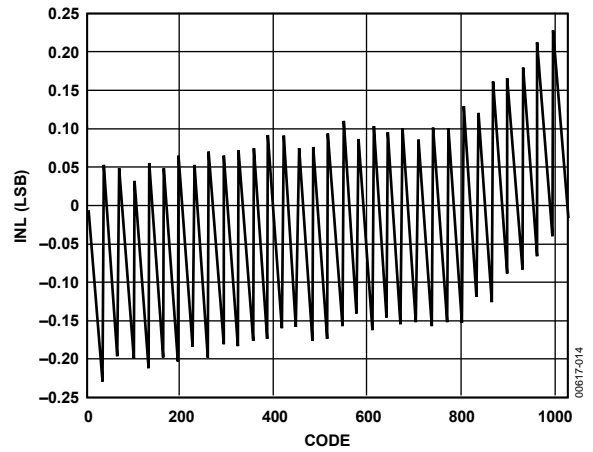


Figure 14. Typical INL

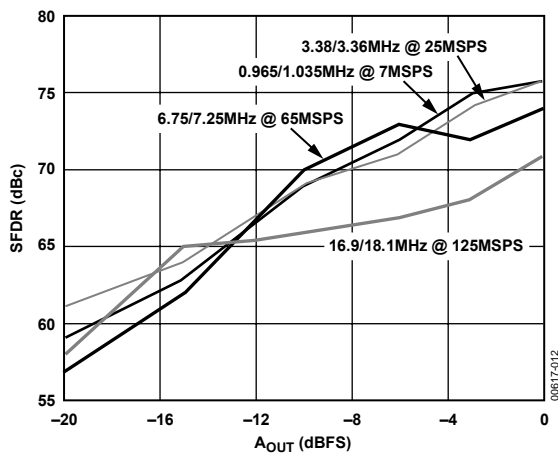


Figure 12. Dual-Tone SFDR vs.  $A_{OUT}$  @  $f_{OUT} = f_{CLK}/7$

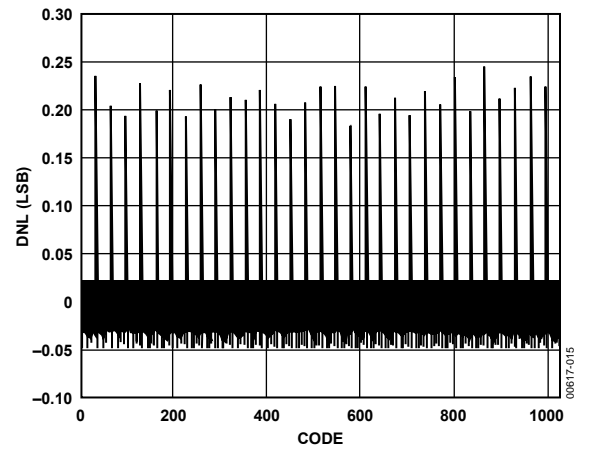


Figure 15. Typical DNL

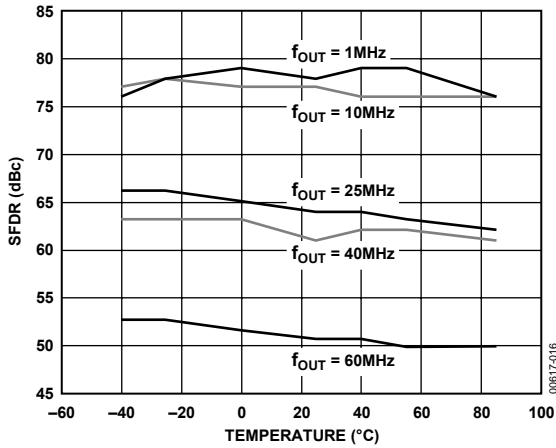


Figure 16. SFDR vs. Temperature @ 125 MSPS, 0 dBFS

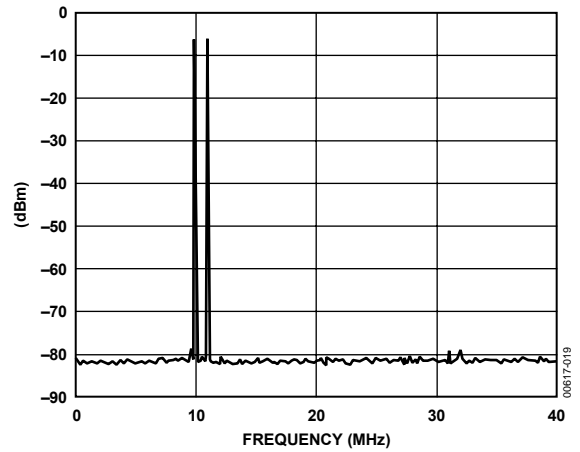


Figure 19. Dual-Tone SFDR @  $f_{CLK} = 125$  MSPS

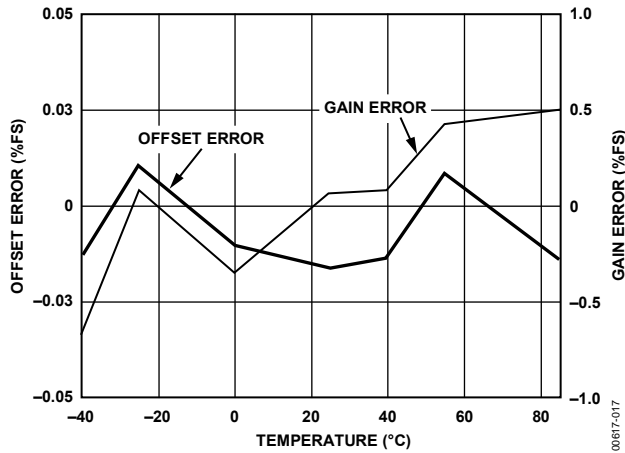


Figure 17. Reference Voltage Drift vs. Temperature

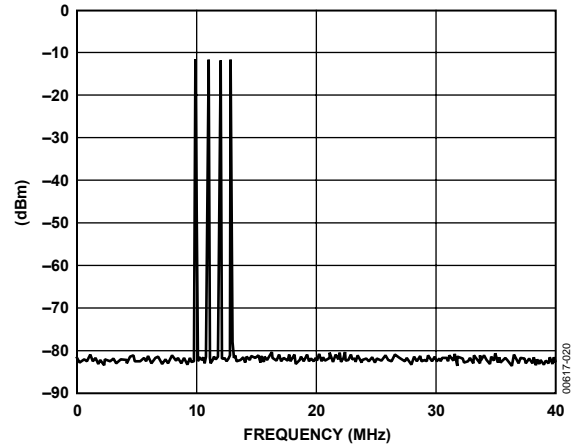


Figure 20. Four-Tone SFDR @  $f_{CLK} = 125$  MSPS

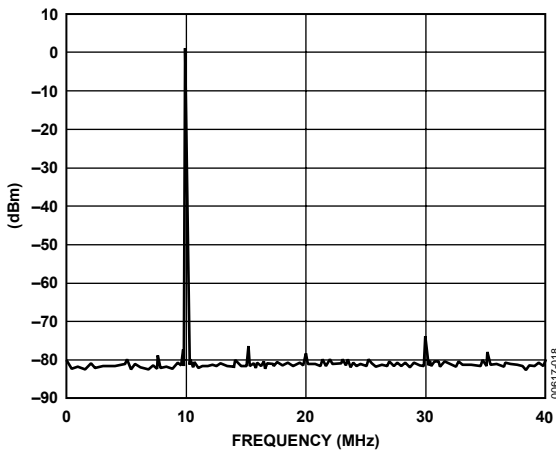


Figure 18. Single-Tone SFDR @  $f_{CLK} = 125$  MSPS

## TERMINOLOGY

### Linearity Error or Integral Nonlinearity (INL)

Linearity error is defined as the maximum deviation of the actual analog output from the ideal output, determined by a straight line drawn from zero to full scale.

### Differential Nonlinearity (DNL)

DNL is the measure of the variation in analog value, normalized to full scale, that is associated with a 1 LSB change in digital input code.

### Monotonicity

A DAC is monotonic if the output either increases or remains constant as the digital input increases.

### Offset Error

The deviation of the output current from the ideal of zero is called offset error. For  $I_{OUTA}$ , 0 mA output is expected when the inputs are all 0s. For  $I_{OUTB}$ , 0 mA output is expected when all inputs are set to 1s.

### Gain Error

The difference between the actual and ideal output span is the gain error. The actual span is determined by the output when all inputs are set to 1s minus the output when all inputs are set to 0s.

### Output Compliance Range

Output compliance range is the range of allowable voltage at the output of a current-output DAC. Operation beyond the maximum compliance limits can cause either output stage saturation or breakdown resulting in nonlinear performance.

### Temperature Drift

Temperature drift is specified as the maximum change from the ambient (25°C) value to the value at either  $T_{MIN}$  or  $T_{MAX}$ . For offset and gain drift, the drift is reported in ppm of full-scale range (FSR) per °C. For reference drift, the drift is reported in ppm/°C.

### Power Supply Rejection (PSR)

Power supply rejection is the maximum change in the full-scale output as the supplies are varied from nominal to minimum and maximum specified voltages.

### Settling Time

The settling time is the time required for the output to reach and remain within a specified error band about its final value, measured from the start of the output transition.

### Glitch Impulse

Asymmetrical switching times in a DAC give rise to undesired output transients that are quantified by a glitch impulse. It is specified as the net area of the glitch in pV-s.

### Spurious-Free Dynamic Range (SFDR)

SFDR is the difference, in decibels (dB), between the rms amplitude of the output signal and the peak spurious signal over the specified bandwidth.

### Total Harmonic Distortion (THD)

THD is the ratio of the rms sum of the first six harmonic components to the rms value of the measured input signal. It is expressed as a percentage or in decibels (dB).

## THEORY OF OPERATION

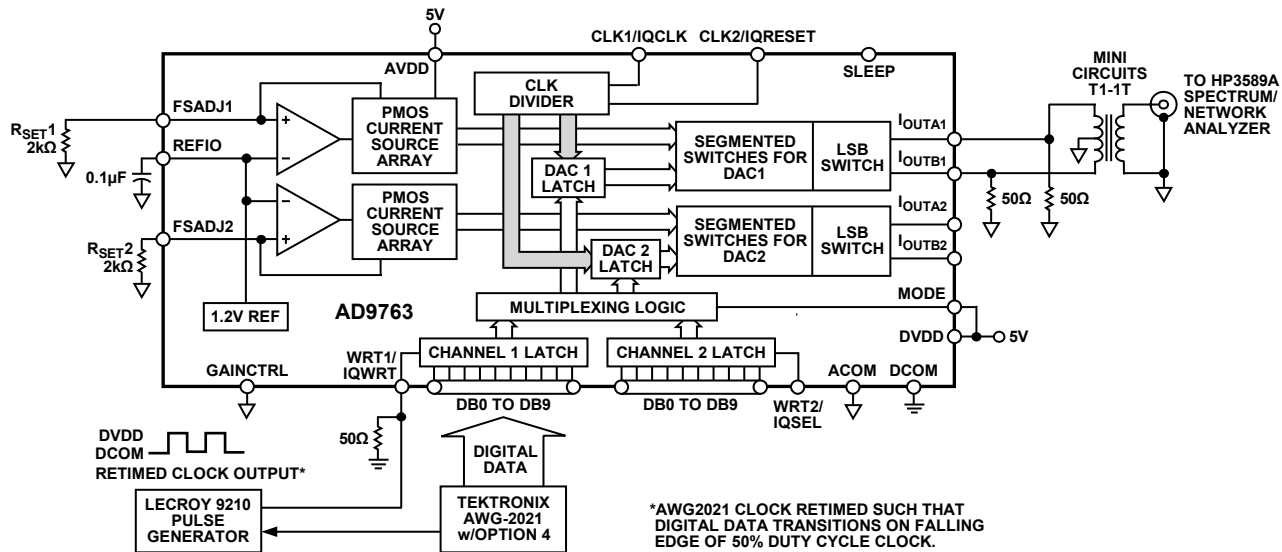


Figure 21. Basic AC Characterization Test Setup for AD9763, Testing Port 1 in Dual Port Mode, Using Independent GAINCTRL Resistors on FSADJ1 and FSADJ2

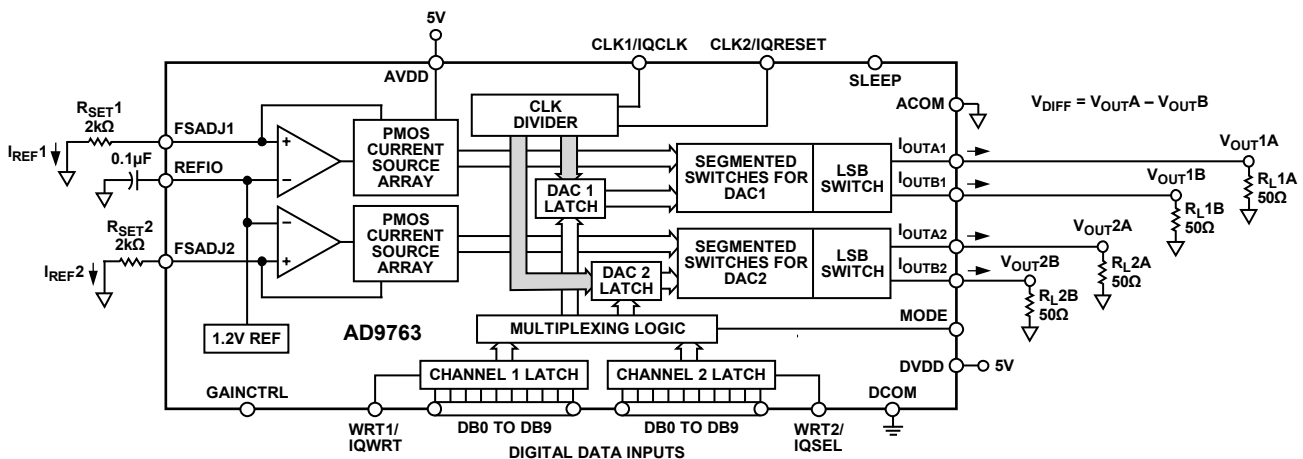


Figure 22. Simplified Block Diagram

## FUNCTIONAL DESCRIPTION

Figure 22 shows a simplified block diagram of the AD9763. The AD9763 consists of two DACs, each one with its own independent digital control logic and full-scale output current control. Each DAC contains a PMOS current source array capable of providing up to 20 mA of full-scale current ( $I_{OUTFS}$ ).

The array is divided into 31 equal currents that make up the five most significant bits (MSBs). The next four bits, or middle bits, consist of 15 equal current sources whose value is  $1/16^{\text{th}}$  of an MSB current source. The remaining LSB is a binary weighted fraction of the middle bit current sources. Implementing the middle and lower bits with current sources, instead of an R-2R ladder, enhances the dynamic performance for multitone or low amplitude signals and helps maintain the DAC high output impedance (that is,  $>100 \text{ k}\Omega$ ).

All of these current sources are switched to one or the other of the two output nodes ( $I_{OUTA}$  or  $I_{OUTB}$ ) via PMOS differential current switches. The switches are based on a new architecture that drastically improves distortion performance. This new switch architecture reduces various timing errors and provides matching complementary drive signals to the inputs of the differential current switches.

The analog and digital sections of the AD9763 have separate power supply inputs (AVDD and DVDD) that can operate independently over a 3.3 V to 5 V range. The digital section is capable of operating up to a 125 MSPS clock rate and consists of edge triggered latches and segment decoding logic circuitry. The analog section includes the PMOS current sources, the associated differential switches, a 1.20 V band gap voltage reference, and two reference control amplifiers.

The full-scale output current of each DAC is regulated by separate reference control amplifiers and can be set from 2 mA to 20 mA via an external resistor ( $R_{SET}$ ) connected to the full scale adjust (FSADJ) pin. The external resistor, in combination with both the reference control amplifier and voltage reference ( $V_{REFIO}$ ), sets the reference current ( $I_{REF}$ ), which is replicated to the segmented current sources with the proper scaling factor. The full-scale current ( $I_{OUTFS}$ ) is  $32 \times I_{REF}$ .

## REFERENCE OPERATION

The AD9763 contains an internal 1.20 V band gap reference. This can easily be overridden by an external reference with no effect on performance. REFIO serves as either an input or output, depending on whether the internal or an external reference is used. To use the internal reference, simply decouple the REFIO pin to ACOM with a 0.1  $\mu$ F capacitor. The internal reference voltage is present at REFIO. If the voltage at REFIO is used elsewhere in the circuit, an external buffer amplifier with an input bias current of less than 100 nA should be used. An example of the use of the internal reference is shown in Figure 23.

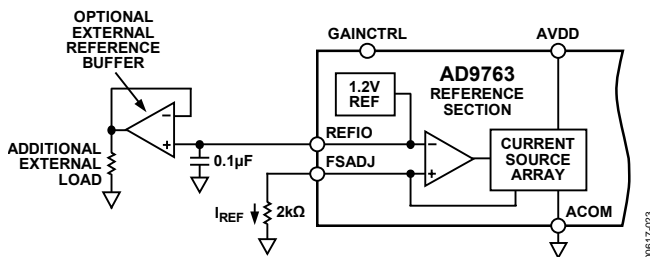


Figure 23. Internal Reference Configuration

An external reference can be applied to REFIO, as shown in Figure 24. The external reference provides either a fixed reference voltage to enhance accuracy and drift performance or a varying reference voltage for gain control. The 0.1  $\mu$ F compensation capacitor is not required because the internal reference is overridden, and the relatively high input impedance of REFIO minimizes any loading of the external reference.

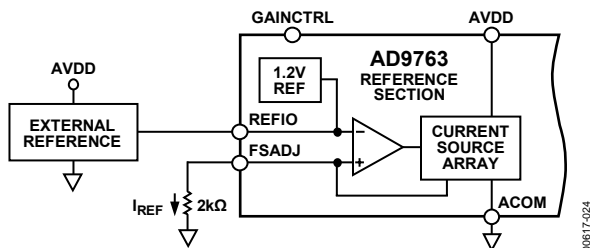


Figure 24. External Reference Configuration

## GAIN CONTROL MODE

The AD9763 allows the gain of each channel to be independently set by connecting one  $R_{SET}$  resistor to FSADJ1 and another  $R_{SET}$  resistor to FSADJ2. To add flexibility and reduce system cost, a single  $R_{SET}$  resistor can be used to set the gain of both channels simultaneously.

When GAINCTRL is low (connected to AGND), the independent channel gain control mode using two resistors is enabled. In this mode, individual  $R_{SET}$  resistors should be connected to FSADJ1 and FSADJ2. When GAINCTRL is high (connected to AVDD), the master/slave channel gain control mode using one resistor is enabled. In this mode, a single  $R_{SET}$  resistor is connected to FSADJ1 and the resistor on FSADJ2 must be removed.

Note that only parts with a date code of 9930 or later have the master/slave gain control function. For parts with a date code before 9930, Pin 42 must be connected to AGND, and the part operates in the two-resistor, independent gain control mode.

## REFERENCE CONTROL AMPLIFIER

Both of the DACs in the AD9763 contain a control amplifier that is used to regulate the full-scale output current ( $I_{OUTFS}$ ). The control amplifier is configured as a V-I converter as shown in Figure 23, so that its current output ( $I_{REF}$ ) is determined by the ratio of the  $V_{REFIO}$  and an external resistor ( $R_{SET}$ ) as stated in Equation 4.  $I_{REF}$  is copied to the segmented current sources with the proper scale factor to set  $I_{OUTFS}$  as stated in Equation 3.

The control amplifier allows a wide (10:1) adjustment span of  $I_{OUTFS}$  from 2 mA to 20 mA by setting  $I_{REF}$  between 62.5  $\mu$ A and 625  $\mu$ A. The wide adjustment range of  $I_{OUTFS}$  provides several benefits. The first relates directly to the power dissipation of the AD9763, which is proportional to  $I_{OUTFS}$  (refer to the Power Dissipation section). The second relates to the 20 dB adjustment, useful for system gain control purposes.

The small signal bandwidth of the reference control amplifier is approximately 500 kHz and can be used for low frequency, small signal multiplying applications.

## DAC TRANSFER FUNCTION

Both DACs in the AD9763 provide complementary current outputs,  $I_{OUTA}$  and  $I_{OUTB}$ .  $I_{OUTA}$  provides a near full-scale current output ( $I_{OUTFS}$ ) when all bits are high (DAC CODE = 1023) while  $I_{OUTB}$ , the complementary output, provides no current. The current output appearing at  $I_{OUTA}$  and  $I_{OUTB}$  is a function of both the input code and  $I_{OUTFS}$  and can be expressed as

$$I_{OUTA} = (DAC\ CODE/1024) \times I_{OUTFS} \quad (1)$$

$$I_{OUTB} = (1023 - DAC\ CODE/1024) \times I_{OUTFS} \quad (2)$$

where  $DAC\ CODE = 0$  to 1023 (decimal representation).

$I_{OUTFS}$  is a function of the reference current  $I_{REF}$ . This is nominally set by a reference voltage ( $V_{REFIO}$ ) and external resistor  $R_{SET}$ . It can be expressed as

$$I_{OUTFS} = 32 \times I_{REF} \quad (3)$$

$$\text{where } I_{REF} = V_{REFIO}/R_{SET} \quad (4)$$

The two current outputs typically drive a resistive load directly or via a transformer. If dc coupling is required,  $I_{OUTA}$  and  $I_{OUTB}$  should be directly connected to matching resistive loads ( $R_{LOAD}$ ) that are tied to the analog common (ACOM). Note that  $R_{LOAD}$  can represent the equivalent load resistance seen by  $I_{OUTA}$  or  $I_{OUTB}$ , as is the case in a doubly terminated 50  $\Omega$  or 75  $\Omega$  cable. The single-ended voltage output appearing at the  $I_{OUTA}$  and  $I_{OUTB}$  nodes is simply

$$V_{OUTA} = I_{OUTA} \times R_{LOAD} \quad (5)$$

$$V_{OUTB} = I_{OUTB} \times R_{LOAD} \quad (6)$$

The full-scale value of  $V_{OUTA}$  and  $V_{OUTB}$  should not exceed the specified output compliance range to maintain specified distortion and linearity performance.

$$V_{DIFF} = (I_{OUTA} - I_{OUTB}) \times R_{LOAD} \quad (7)$$

Substituting the values of  $I_{OUTA}$ ,  $I_{OUTB}$ , and  $I_{REF}$ ,  $V_{DIFF}$  can be expressed as

$$V_{DIFF} = \{(2 \times DAC\ CODE - 1023)/1024\} \times (32 \times R_{LOAD}/R_{SET}) \times V_{REFIO} \quad (8)$$

Equation 7 and Equation 8 highlight some of the advantages of operating the AD9763 differentially. First, the differential operation helps cancel common-mode error sources associated with  $I_{OUTA}$  and  $I_{OUTB}$  such as noise, distortion, and dc offsets. Second, the differential code-dependent current and subsequent voltage,  $V_{DIFF}$ , is twice the value of the single-ended voltage output ( $V_{OUTA}$  or  $V_{OUTB}$ ), thus providing twice the signal power to the load.

The gain drift temperature performance for a single-ended ( $V_{OUTA}$  and  $V_{OUTB}$ ) or differential output ( $V_{DIFF}$ ) of the AD9763 can be enhanced by selecting temperature tracking resistors for  $R_{LOAD}$  and  $R_{SET}$  due to their ratiometric relationship, as shown in Equation 8.

## ANALOG OUTPUTS

The complementary current outputs in each DAC,  $I_{OUTA}$  and  $I_{OUTB}$ , can be configured for single-ended or differential operation.  $I_{OUTA}$  and  $I_{OUTB}$  can be converted into complementary single-ended voltage outputs,  $V_{OUTA}$  and  $V_{OUTB}$  via a load resistor ( $R_{LOAD}$ ) as described in Equation 5 through Equation 8. The differential voltage ( $V_{DIFF}$ ) existing between  $V_{OUTA}$  and  $V_{OUTB}$  can also be converted to a single-ended voltage via a transformer or differential amplifier configuration. The ac performance of the AD9763 is optimum and specified using a differential transformer coupled output where the voltage swing at  $I_{OUTA}$  and  $I_{OUTB}$  is

limited to  $\pm 0.5$  V. If a single-ended unipolar output is desired,  $I_{OUTA}$  should be selected.

The distortion and noise performance of the AD9763 can be enhanced when it is configured for differential operation. The common-mode error sources of both  $I_{OUTA}$  and  $I_{OUTB}$  can be significantly reduced by the common-mode rejection of a transformer or differential amplifier. These common-mode error sources include even-order distortion products and noise. The enhancement in distortion performance becomes more significant as the frequency content of the reconstructed waveform increases. This is due to the first order cancellation of various dynamic common-mode distortion mechanisms, digital feed-through, and noise.

Performing a differential-to-single-ended conversion via a transformer also provides the ability to deliver twice the reconstructed signal power to the load, assuming no source termination. Because the output currents of  $I_{OUTA}$  and  $I_{OUTB}$  are complementary, they become additive when processed differentially. A properly selected transformer allows the AD9763 to provide the required power and voltage levels to different loads.

The output impedance of  $I_{OUTA}$  and  $I_{OUTB}$  is determined by the equivalent parallel combination of the PMOS switches associated with the current sources and is typically 100 k $\Omega$  in parallel with 5 pF. It is also slightly dependent on the output voltage ( $V_{OUTA}$  and  $V_{OUTB}$ ) due to the nature of a PMOS device. As a result, maintaining  $I_{OUTA}$  and/or  $I_{OUTB}$  at a virtual ground via an I-V op amp configuration results in the optimum dc linearity. The INL/DNL specifications for the AD9763 are measured with  $I_{OUTA}$  maintained at a virtual ground via an op amp.

$I_{OUTA}$  and  $I_{OUTB}$  also have a negative and positive voltage compliance range that must be adhered to in order to achieve optimum performance. The negative output compliance range of  $-1.0$  V is set by the breakdown limits of the CMOS process. Operation beyond this maximum limit can result in a breakdown of the output stage and affect the reliability of the AD9763.

The positive output compliance range is slightly dependent on the full-scale output current,  $I_{OUTFS}$ . It degrades slightly from its nominal 1.25 V for an  $I_{OUTFS} = 20$  mA to 1.00 V for an  $I_{OUTFS} = 2$  mA. The optimum distortion performance for a single-ended or differential output is achieved when the maximum full-scale signal at  $I_{OUTA}$  and  $I_{OUTB}$  does not exceed 0.5 V. Applications requiring the AD9763 output ( $V_{OUTA}$  and/or  $V_{OUTB}$ ) to extend its output compliance range should size  $R_{LOAD}$  accordingly. Operation beyond this compliance range adversely affects the linearity performance of the AD9763 and subsequently degrades its distortion performance.

## DIGITAL INPUTS

The digital inputs of the AD9763 consist of two independent channels. For the dual port mode, each DAC has its own dedicated 10-bit data port, WRT line, and CLK line. In the interleaved timing mode, the function of the digital control pins changes as described in the Interleaved Mode Timing section. The 10-bit parallel data inputs follow straight binary coding where DB9 is the most significant bit (MSB) and DB0 is the least significant bit (LSB).  $I_{OUTA}$  produces a full-scale output current when all data bits are at Logic 1.  $I_{OUTB}$  produces a complementary output with the full-scale current split between the two outputs as a function of the input code.

The digital interface is implemented using an edge triggered master/slave latch. The DAC outputs are updated following either the rising edge, or every other rising edge of the clock, depending on whether dual or interleaved mode is being used. The DAC outputs are designed to support a clock rate as high as 125 MSPS. The clock can be operated at any duty cycle that meets the specified latch pulse width. The setup and hold times can also be varied within the clock cycle as long as the specified minimum times are met, although the location of these transition edges can affect digital feedthrough and distortion performance. Best performance is typically achieved when the input data transitions on the falling edge of a 50% duty cycle clock.

## DAC TIMING

The AD9763 can operate in two timing modes, dual and interleaved, as described in the following sections.

### Dual Port Mode Timing

When the MODE pin is at Logic 1, the AD9763 operates in dual port mode (refer to Figure 21). The AD9763 functions as two distinct DACs. Each DAC has its own completely independent digital input and control lines.

The AD9763 features a double buffered data path. Data enters the device through the channel input latches. This data is then transferred to the DAC latch in each signal path. Once the data is loaded into the DAC latch, the analog output settles to its new value.

For general consideration, the WRT lines control the channel input latches and the CLK lines control the DAC latches. Both sets of latches are updated on the rising edge of their respective control signals.

The rising edge of CLK should occur before or simultaneously with the rising edge of WRT. If the rising edge of CLK occurs after the rising edge of WRT, a 2 ns minimum delay should be maintained from the rising edge of WRT to the rising edge of CLK.

Timing specifications for dual port mode are shown in Figure 25 and Figure 26.

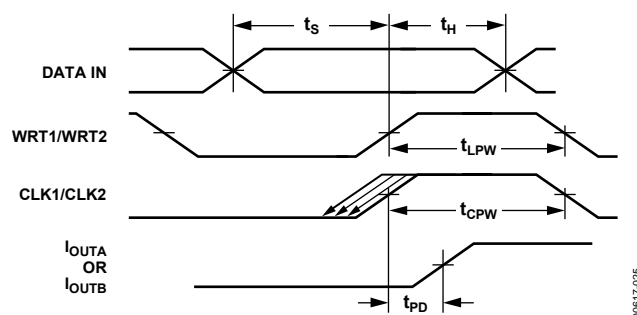


Figure 25. Dual Mode Timing

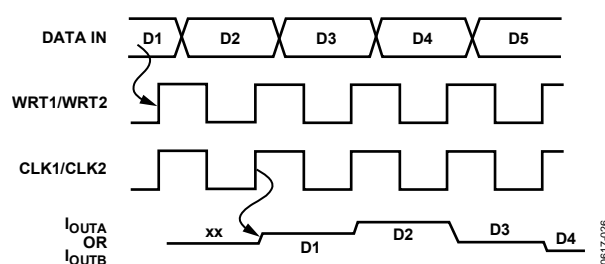


Figure 26. Dual Mode Timing

### Interleaved Mode Timing

When the MODE pin is at Logic 0, the AD9763 operates in interleaved mode (refer to Figure 27). WRT1 now functions as IQWRT and CLK1 functions as IQCLK. WRT2 functions as IQSEL and CLK2 functions as IQRESET.

Data enters the device on the rising edge of IQWRT. The logic level of IQSEL steers the data to either Channel Latch 1 (IQSEL = 1) or to Channel Latch 2 (IQSEL = 0). For proper operation, IQSEL should only change state when IQWRT and IQCLK are low.

When IQRESET is high, IQCLK is disabled. When IQRESET goes low, the following rising edge on IQCLK updates both DAC latches with the data present at their inputs. In the interleaved mode, IQCLK is divided by 2 internally. Following this first rising edge, the DAC latches are only updated on every other rising edge of IQCLK. In this way, IQRESET can be used to synchronize the routing of the data to the DACs.

As with the dual port mode, IQCLK should occur before or simultaneously with IQWRT.

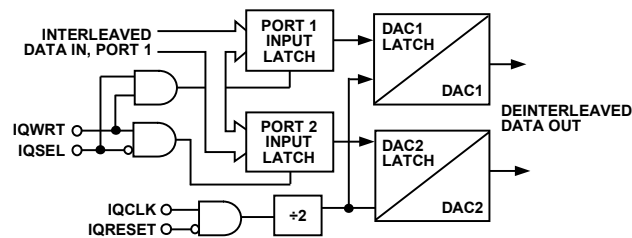


Figure 27. Latch Structure in Interleaved Mode

# AD9763

Timing specifications for interleaved mode are shown in Figure 28 and Figure 29.

The digital inputs are CMOS compatible with logic thresholds,  $V_{THRESHOLD}$ , set to approximately half the digital positive supply (DVDD) or

$$V_{THRESHOLD} = DVDD/2 (\pm 20\%)$$

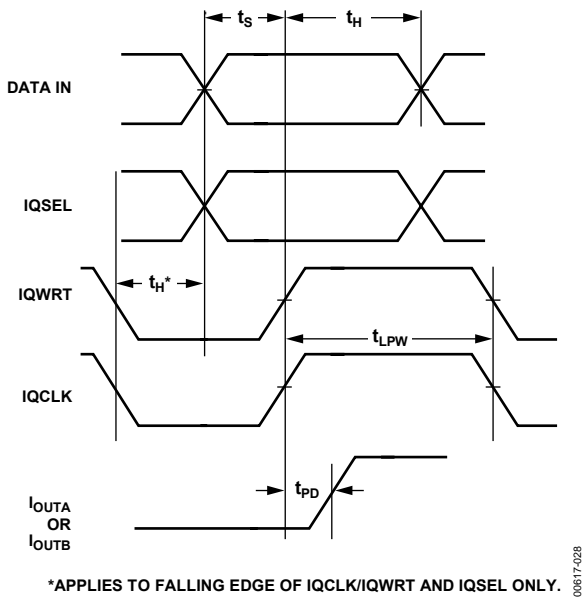


Figure 28. Interleaved Mode Timing

00817-028

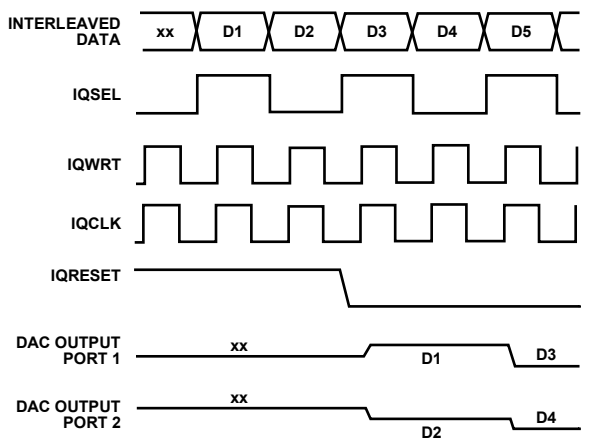


Figure 29. Interleaved Mode Timing

00817-029

The internal digital circuitry of the AD9763 is capable of operating over a digital supply range of 3.3 V to 5 V. As a result, the digital inputs can also accommodate TTL levels when DVDD is set to accommodate the maximum high level voltage of the TTL drivers  $V_{OH(MAX)}$ . A DVDD of 3.3 V typically ensures proper compatibility with most TTL logic families. Figure 30 shows the equivalent digital input circuit for the data and clock inputs. The sleep mode input is similar with the exception that it contains an active pull-down circuit, thus ensuring that the AD9763 remains enabled if this input is left disconnected.

Because the AD9763 is capable of being clocked up to 125 MSPS, the quality of the clock and data input signals are important in achieving the optimum performance. Operating the AD9763 with reduced logic swings and a corresponding digital supply (DVDD) results in the lowest data feedthrough and on-chip digital noise. The drivers of the digital data interface circuitry should be specified to meet the minimum setup and hold times of the AD9763 as well as its required minimum/maximum input logic level thresholds.

Digital signal paths should be kept short and run lengths matched to avoid propagation delay mismatch. The insertion of a low value resistor network (20  $\Omega$  to 100  $\Omega$ ) between the AD9763 digital inputs and driver outputs can be helpful in reducing any overshooting and ringing at the digital inputs that contribute to digital feedthrough. For longer board traces and high data update rates, stripline techniques with proper impedance and termination resistors should be considered to maintain clean digital inputs.

The external clock driver circuitry should provide the AD9763 with a low jitter clock input meeting the minimum/maximum logic levels while providing fast edges. Fast clock edges help minimize any jitter that manifests itself as phase noise on a reconstructed waveform. Thus, the clock input should be driven by the fastest logic family suitable for the application.

Note that the clock input can also be driven via a sine wave that is centered around the digital threshold (DVDD/2) and meets the min/max logic threshold. This typically results in a slight degradation in the phase noise, and becomes more noticeable at higher sampling rates and output frequencies. Also, at higher sampling rates, the 20% tolerance of the digital logic threshold should be considered because it affects the effective clock duty cycle and, subsequently, cuts into the required data setup and hold times.

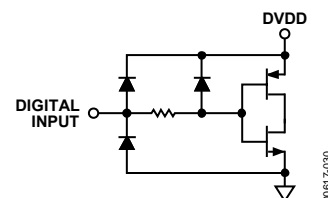


Figure 30. Equivalent Digital Input

00817-030



**INPUT CLOCK AND DATA TIMING RELATIONSHIP**

SNR in a DAC is dependent on the relationship between the position of the clock edges and the point in time when the input data changes. The AD9763 is rising edge triggered, and so exhibits SNR sensitivity when the data transition is close to this edge. The goal when applying the AD9763 is to make the data transition close to the falling clock edge. This becomes more important as the sample rate increases. Figure 31 shows the relationship of SNR to clock placement with different sample rates. At the lower sample rates, much more tolerance is allowed in clock placement; much more care must be taken at higher rates.

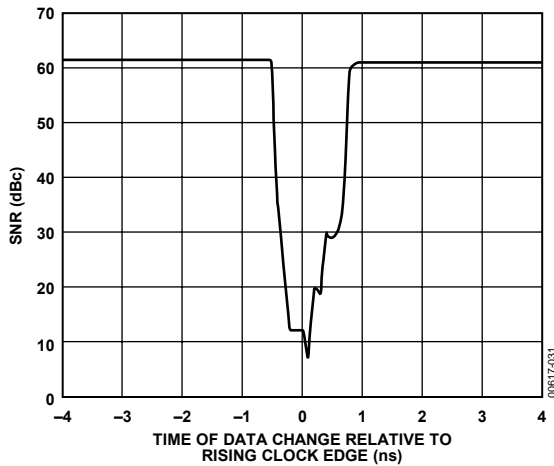


Figure 31. SNR vs. Clock Placement @  $f_{OUT} = 20$  MHz and  $f_{CLK} = 125$  MSPS

**SLEEP MODE OPERATION**

The AD9763 has a power-down function that turns off the output current and reduces the supply current to less than 8.5 mA over the specified supply range of 3.3 V to 5 V and the temperature range. This mode can be activated by applying a Logic Level 1 to the SLEEP pin. The SLEEP pin logic threshold is equal to  $0.5 \times AVDD$ . This digital input also contains an active pull-down circuit that ensures the AD9763 remains enabled if this input is left disconnected. The AD9763 takes less than 50 ns to power down and approximately 5  $\mu$ s to power back up.

**POWER DISSIPATION**

The power dissipation ( $P_D$ ) of the AD9763 is dependent on several factors, including:

- the power supply voltages ( $AVDD$  and  $DVDD$ )
- the full-scale current output ( $I_{OUTFS}$ )
- the update rate ( $f_{CLK}$ )
- the reconstructed digital input waveform

The power dissipation is directly proportional to the analog supply current ( $I_{AVDD}$ ) and the digital supply current ( $I_{DVDD}$ )  $I_{AVDD}$  is directly proportional to  $I_{OUTFS}$  (as shown in Figure 32) and is insensitive to  $f_{CLK}$ .

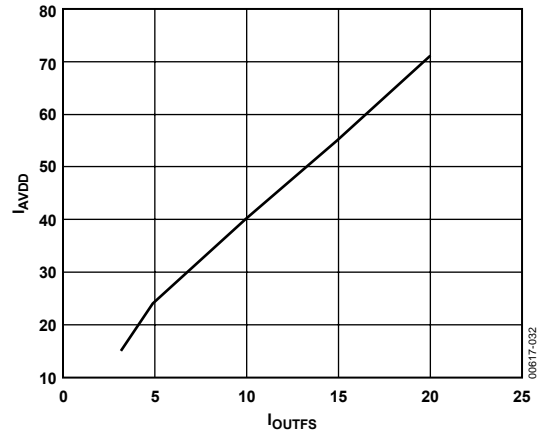


Figure 32.  $I_{AVDD}$  vs.  $I_{OUTFS}$

Conversely,  $I_{DVDD}$  is dependent on both the digital input waveform,  $f_{CLK}$ , and digital supply  $DVDD$ . Figure 33 and Figure 34 show  $I_{DVDD}$  as a function of full-scale sine wave output ratios ( $f_{OUT}/f_{CLK}$ ) for various update rates with  $DVDD = 5$  V and  $DVDD = 3.3$  V, respectively.  $I_{DVDD}$  is reduced by more than a factor of 2 when  $DVDD$  is reduced from 5 V to 3.3 V.

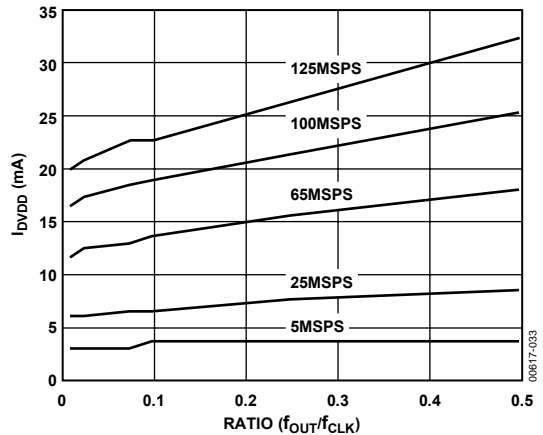


Figure 33.  $I_{DVDD}$  vs. Ratio @  $DVDD = 5$  V

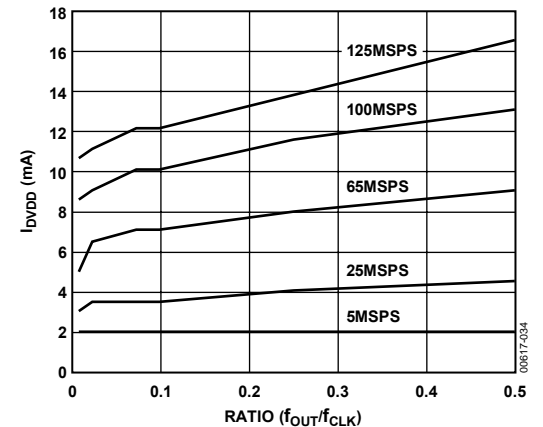


Figure 34.  $I_{DVDD}$  vs. Ratio @  $DVDD = 3.3$  V

## DAC OUTPUT CONFIGURATIONS

The following sections illustrate some typical output configurations for the AD9763. Unless otherwise noted, it is assumed that  $I_{OUTS}$  is set to a nominal 20 mA. For applications requiring the optimum dynamic performance, a differential output configuration is suggested. A differential output configuration can consist of either an RF transformer or a differential op amp configuration. The transformer configuration provides the optimum high frequency performance and is recommended for any application allowing for ac coupling. The differential op amp configuration is suitable for applications requiring dc coupling, a bipolar output, signal gain, and/or level shifting, within the bandwidth of the chosen op amp.

A single-ended output is suitable for applications requiring a unipolar voltage output. A positive unipolar output voltage results if  $I_{OUTA}$  and/or  $I_{OUTB}$  is connected to an appropriately-sized load resistor ( $R_{LOAD}$ ) referred to ACOM. This configuration can be more suitable for a single-supply system requiring a dc-coupled, ground referred output voltage. Alternatively, an amplifier could be configured as an I-V converter, thus converting  $I_{OUTA}$  or  $I_{OUTB}$  into a negative unipolar voltage. This configuration provides the best dc linearity because  $I_{OUTA}$  or  $I_{OUTB}$  is maintained at a virtual ground. Note that  $I_{OUTA}$  provides slightly better performance than  $I_{OUTB}$ .

### DIFFERENTIAL COUPLING USING A TRANSFORMER

An RF transformer can be used to perform a differential-to-single-ended signal conversion as shown in Figure 35. A differentially coupled transformer output provides the optimum distortion performance for output signals whose spectral content lies within the pass band of the transformer. An RF transformer such as the Mini-Circuits® T1-1T provides excellent rejection of common-mode distortion (that is, even-order harmonics) and noise over a wide frequency range. It also provides electrical isolation and the ability to deliver twice the power to the load. Transformers with different impedance ratios can also be used for impedance matching purposes. The transformer provides ac coupling only.

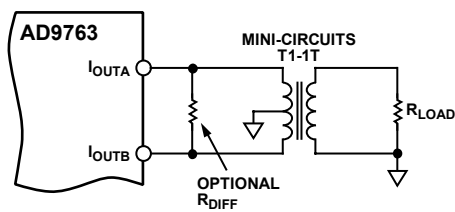


Figure 35. Differential Output Using a Transformer

The center tap on the primary side of the transformer must be connected to ACOM to provide the necessary dc current path for both  $I_{OUTA}$  and  $I_{OUTB}$ . The complementary voltages appearing at  $I_{OUTA}$  and  $I_{OUTB}$  ( $V_{OUTA}$  and  $V_{OUTB}$ ) swing symmetrically around ACOM and should be maintained with the specified output compliance range of the AD9763. A differential resistor ( $R_{DIFF}$ ) can be inserted in applications where the output of the transformer is connected to the load,  $R_{LOAD}$  via a passive reconstruction filter or cable.  $R_{DIFF}$  is determined by the impedance ratio of the transformer and provides the proper source termination that results in a low VSWR. Approximately half the signal power is dissipated across  $R_{DIFF}$ .

### DIFFERENTIAL COUPLING USING AN OP AMP

An op amp can also be used to perform a differential-to-single-ended conversion as shown in Figure 36. The AD9763 is configured with two equal load resistors ( $R_{LOAD}$ ) of 25  $\Omega$ . The differential voltage developed across  $I_{OUTA}$  and  $I_{OUTB}$  is converted to a single-ended signal via the differential op amp configuration. An optional capacitor can be installed across  $I_{OUTA}$  and  $I_{OUTB}$ , forming a real pole in a low-pass filter. The addition of this capacitor also enhances the distortion performance of the op amp by preventing the high slewing output of the DAC from overloading the op amp input.

The common-mode rejection of this configuration is typically determined by the resistor matching. In this circuit, the differential op amp circuit using the AD8047 is configured to provide some additional signal gain. The op amp must operate from a dual supply because its output is approximately  $\pm 1.0$  V. Select a high speed amplifier that is capable of preserving the differential performance of the AD9763 and meets other system level objectives (cost and power). Consider the differential gain, gain setting resistor values, and full-scale output swing capabilities of the op amp when optimizing this circuit.

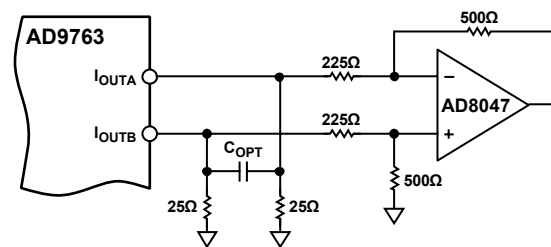


Figure 36. DC Differential Coupling Using an Op Amp

The differential circuit shown in Figure 37 provides the necessary level shifting required in a single-supply system. In this case, AVDD, the positive analog supply for both the AD9763 and the op amp, is also used to level shift the differential output of the AD9763 to midsupply (AVDD/2). The AD8055 is a suitable op amp for this application.

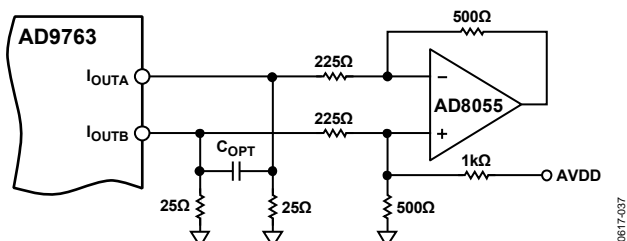


Figure 37. Single-Supply DC Differential Coupled Circuit

### SINGLE-ENDED, UNBUFFERED VOLTAGE OUTPUT

Figure 38 shows the AD9763 configured to provide a unipolar output range of approximately 0 V to 0.5 V for a doubly terminated 50 Ω cable because the nominal full-scale current ( $I_{OUTFS}$ ) of 20 mA flows through the equivalent  $R_{LOAD}$  of 25 Ω. In this case,  $R_{LOAD}$  represents the equivalent load resistance seen by  $I_{OUTA}$  or  $I_{OUTB}$ . The unused output ( $I_{OUTA}$  or  $I_{OUTB}$ ) can be connected to ACOM directly or via a matching  $R_{LOAD}$ . Different values of  $I_{OUTFS}$  and  $R_{LOAD}$  can be selected as long as the positive compliance range is adhered to. One additional consideration in this mode is the integral nonlinearity (INL) as described in the Analog Outputs section. For optimum INL performance, the single-ended, buffered voltage output configuration is suggested.

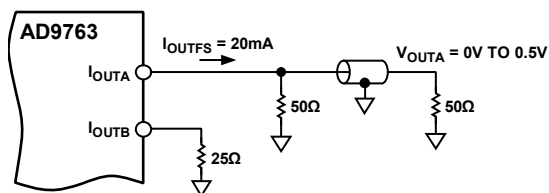


Figure 38. 0 V to 0.5 V Unbuffered Voltage Output

### SINGLE-ENDED, BUFFERED VOLTAGE OUTPUT

Figure 39 shows a buffered, single-ended output configuration where the Op Amp U1 performs an I-V conversion on the AD9763 output current. U1 maintains  $I_{OUTA}$  (or  $I_{OUTB}$ ) at a virtual ground, thus minimizing the nonlinear output impedance effect on the DAC INL performance, as described in the Analog Outputs section. Although this single-ended configuration typically provides the best dc linearity performance, its ac distortion performance at higher DAC update rates can be limited by slewing capabilities of U1. U1 provides a negative unipolar output voltage and its full-scale output voltage is simply the product of  $R_{FB}$  and  $I_{OUTFS}$ . Set the full-scale output within voltage output swing capabilities of U1 by scaling  $I_{OUTFS}$  and/or  $R_{FB}$ . An improvement in ac distortion performance can result with a reduced  $I_{OUTFS}$  because the signal current U1 is required to sink is subsequently reduced.

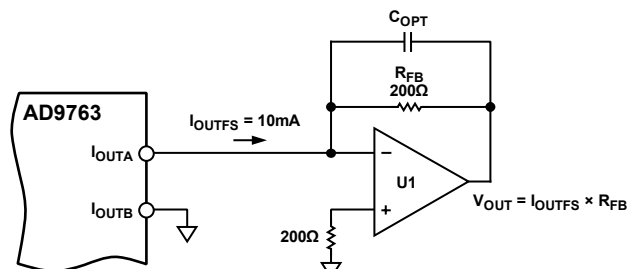


Figure 39. Unipolar Buffered Voltage Output

### POWER AND GROUNDING CONSIDERATIONS, POWER SUPPLY REJECTION

Many applications seek high speed and high performance under less than ideal operating conditions. In these application circuits, the implementation and construction of the printed circuit board is as important as the circuit design. Proper RF techniques must be used for device selection, placement, and routing, as well as power supply bypassing and grounding to ensure optimum performance. Figure 46 to Figure 53 illustrate the recommended printed circuit board ground, power, and signal plane layouts that are implemented on the AD9763 evaluation board.

One factor that can measurably affect system performance is the ability of the DAC output to reject dc variations or ac noise superimposed on the analog or digital dc power distribution. This is referred to as the power supply rejection ratio (PSRR). For dc variations of the power supply, the resulting performance of the DAC directly corresponds to a gain error associated with the full-scale current ( $I_{OUTFS}$ ) of the DAC. AC noise on the dc supplies is common in applications where the power distribution is generated by a switching power supply. Typically, switching power supply noise occurs over the spectrum from tens of kHz to several MHz. The PSRR vs. frequency of the AD9763 AVDD supply over this frequency range is shown in Figure 40.

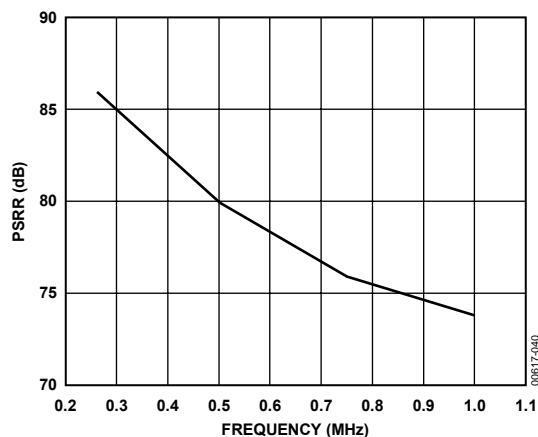


Figure 40. Power Supply Rejection Ratio

Note that the units in Figure 40 are given in units of amps out/volts in. Noise on the analog power supply has the effect of modulating the internal current sources and, therefore, the output current. The voltage noise on AVDD, therefore, is added in a nonlinear manner to the desired  $I_{OUT}$ . PSRR is very code-dependent, thus producing mixing effects that can modulate low frequency power supply noise to higher frequencies. Worst case PSRR for either one of the differential DAC outputs occurs when the full-scale current is directed towards that output. As a result, the PSRR measurement in Figure 40 represents a worst-case condition where the digital inputs remain static and the full-scale output current of 20 mA is directed to the DAC output being measured.

The following example serves to illustrate the effect of supply noise on the analog supply. Suppose a switching regulator with a switching frequency of 250 kHz produces 10 mV of noise and, for simplicity's sake (ignore harmonics), all of this noise is concentrated at 250 kHz. To calculate how much of this undesired noise appears as current noise superimposed on the full-scale current of the DAC,  $I_{OUTFS}$ , one must determine the PSRR in dB using Figure 40 at 250 kHz. To calculate the PSRR for a given  $R_{LOAD}$  such that the units of PSRR are converted from A/V to V/V, adjust the curve in Figure 40 by the scaling factor  $20 \times \log(R_{LOAD})$ . For instance, if  $R_{LOAD}$  is 50  $\Omega$ , the PSRR is reduced by 34 dB (PSRR of the DAC at 250 kHz, 85 dB in Figure 40, becomes 51 dB  $V_{OUT}/V_{IN}$ ).

Proper grounding and decoupling is a primary objective in any high speed, high resolution system. The AD9763 features separate analog and digital supply and ground pins to optimize the management of analog and digital ground currents in a system. In general, decouple the analog supply (AVDD) to the analog common (ACOM) as close to the chip as physically possible. Similarly, decouple the digital supply (DVDD) to the digital common (DCOM) as close to the chip as physically possible.

For those applications that require a single 5 V or 3.3 V supply for both the analog and digital supplies, a clean analog supply can be generated using the circuit shown in Figure 41. The circuit consists of a differential LC filter with separate power supply and return lines. Lower noise can be attained by using low ESR type electrolytic and tantalum capacitors.

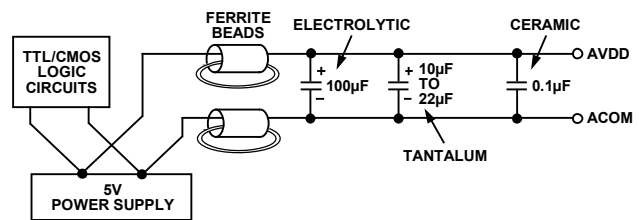


Figure 41. Differential LC Filter for Single 5 V and 3.3 V Applications

00617-041

# APPLICATIONS

## USING THE AD9763 FOR QUADRATURE AMPLITUDE MODULATION (QAM)

QAM is one of the most widely used digital modulation schemes in digital communications systems. This modulation technique can be found in FDM as well as spread spectrum (CDMA) based systems. A QAM signal is a carrier frequency that is modulated in both amplitude (AM modulation) and phase (PM modulation). It can be generated by independently modulating two carriers of identical frequency, but with a 90° phase difference. This results in an in-phase (I) carrier component and a quadrature (Q) carrier component at a 90° phase shift with respect to the I component. The I and Q components are then summed to provide a QAM signal at the specified carrier frequency.

A common and traditional implementation of a QAM modulator is shown in Figure 42. The modulation is performed in the analog domain where two DACs are used to generate the baseband I and Q components. Each component is then typically applied to a Nyquist filter before being applied to a quadrature mixer. The matching Nyquist filters shape and limit the spectral envelope of each component while minimizing intersymbol interference. The DAC is typically updated at the QAM symbol rate or possibly a multiple of it if an interpolating filter precedes the DAC. The use of an interpolating filter typically eases the implementation and complexity of the analog filter, a significant contributor to mismatches in gain and phase between the two

baseband channels. A quadrature mixer modulates the I and Q components with the in-phase and quadrature carrier frequency and then sums the two outputs to provide the QAM signal.

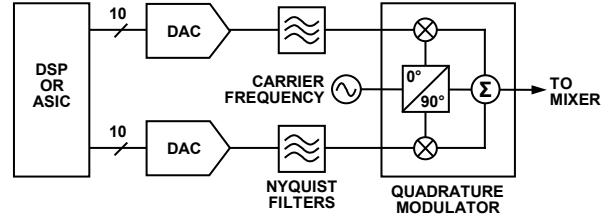


Figure 42. Typical Analog QAM Architecture

In this implementation, it is much more difficult to maintain proper gain and phase matching between the I and Q channels. The circuit implementation shown in Figure 43 helps improve upon the matching between the I and Q channels, as well as showing a path for upconversion using the AD8346 quadrature modulator. The AD9763 provides both I and Q DACs as well as a common reference that improves the gain matching and stability.  $R_{CAL}$  can be used to compensate for any mismatch in gain between the two channels. The mismatch can be attributed to the mismatch between  $R_{SET1}$  and  $R_{SET2}$ , effective load resistance of each channel, and/or the voltage offset of the control amplifier in each DAC. The differential voltage outputs of both DACs in the AD9763 are fed into the respective differential inputs of the AD8346 via matching networks.

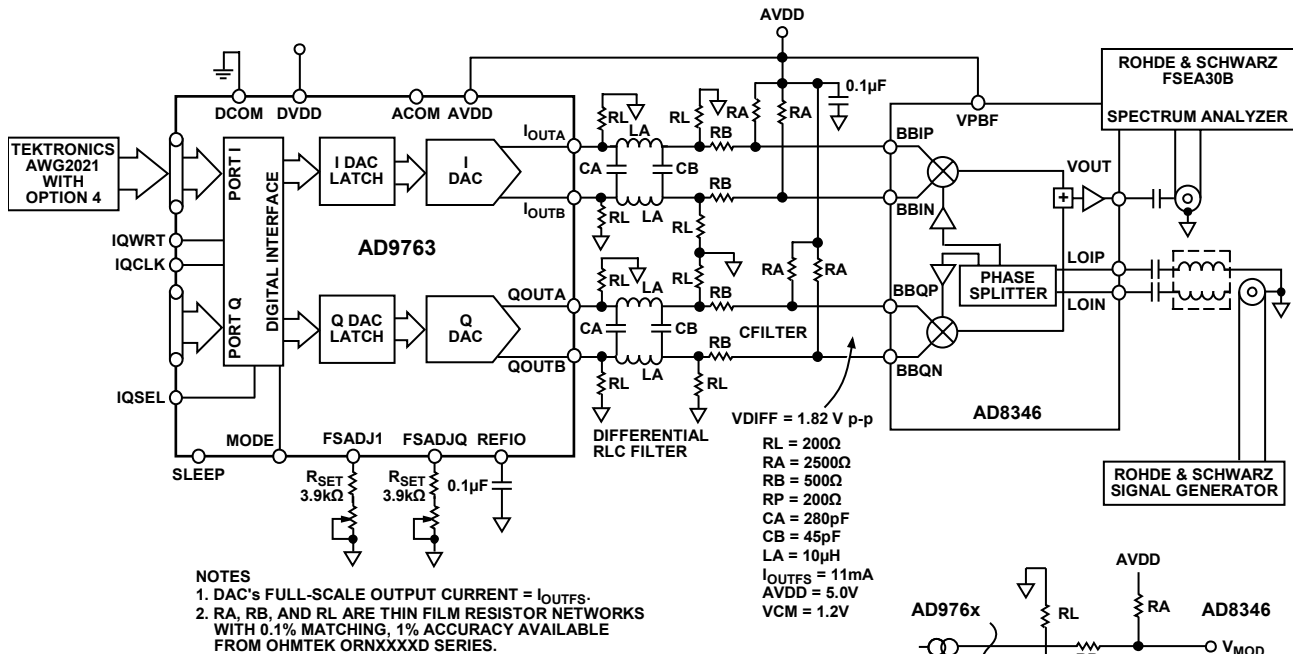


Figure 43. Baseband QAM Implementation Using an AD9763 and AD8346

# AD9763

I and Q digital data can be fed into the AD9763 in two different ways. In dual port mode, the Digital I information drives one input port, while the Digital Q information drives the other input port. If no interpolation filter precedes the DAC, the symbol rate is the rate that the system clock drives the CLK and WRT pins on the AD9763. In interleaved mode, the digital input stream at Port 1 contains the I and the Q information in alternating digital words. Using IQSEL and IQRESET, the AD9763 can be synchronized to the I and Q data stream. The internal timing of the AD9763 routes the selected I and Q data to the correct DAC output. In interleaved mode, if no interpolation filter precedes the AD9763, the symbol rate is half that of the system clock driving the digital data stream and the IQWRT and IQCLK pins on the AD9763.

## CDMA

Carrier division multiple access (CDMA) is an air transmit/receive scheme where the signal in the transmit path is modulated with a pseudorandom digital code (sometimes referred to as the spreading code). The effect of this is to spread the transmitted signal across a wide spectrum. Similar to a DMT waveform, a CDMA waveform containing multiple subscribers can be characterized as having a high peak-to-average ratio (crest factor), thus demanding highly linear components in the transmit signal path. The bandwidth of the spectrum is defined by the CDMA standard being used, and in operation is implemented by using a spreading code with particular characteristics.

Distortion in the transmit path can lead to power being transmitted out of the defined band. The ratio of power transmitted in-band to out-of-band is often referred to as adjacent channel

power (ACP). This is a regulatory issue due to the possibility of interference with other signals being transmitted by air. Regulatory bodies define a spectral mask outside of the transmit band, and the ACP must fall under this mask. If distortion in the transmit path causes the ACP to be above the spectral mask, then filtering, or different component selection, is needed to meet the mask requirements.

Figure 44 shows the AD9763, when used with the AD8346, reconstructing a wideband CDMA signal at 2.4 GHz. The baseband signal is being sampled at 65 MSPS and has a chip rate of 8 M chips.

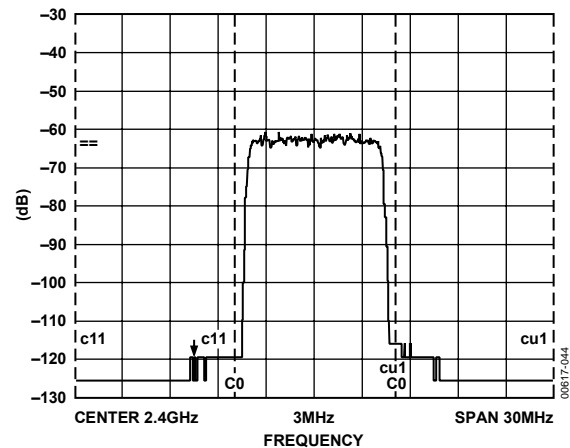


Figure 44. CDMA Signal, 8 M Chips Sampled at 65 MSPS, Recreated at 2.4 GHz, Adjacent Channel Power > 60 dBm

# EVALUATION BOARD

## GENERAL DESCRIPTION

The AD9763-EB is an evaluation board for the AD9763 10-bit dual digital-to-analog converter. Careful attention to layout and circuit design, combined with a prototyping area, allow the user to easily and effectively evaluate the AD9763 in any application where high resolution, high speed conversion is required.

This board allows the user the flexibility to operate the AD9763 in various configurations. Possible output configurations

include transformer coupled, resistor terminated, and single and differential outputs. The digital inputs can be used in dual port or interleaved mode, and are designed to be driven from various word generators, with the on-board option to add a resistor network for proper load termination. When operating the AD9763, best performance is obtained when running the digital supply (DVDD) at 3.3 V and the analog supply (AVDD) at 5 V.

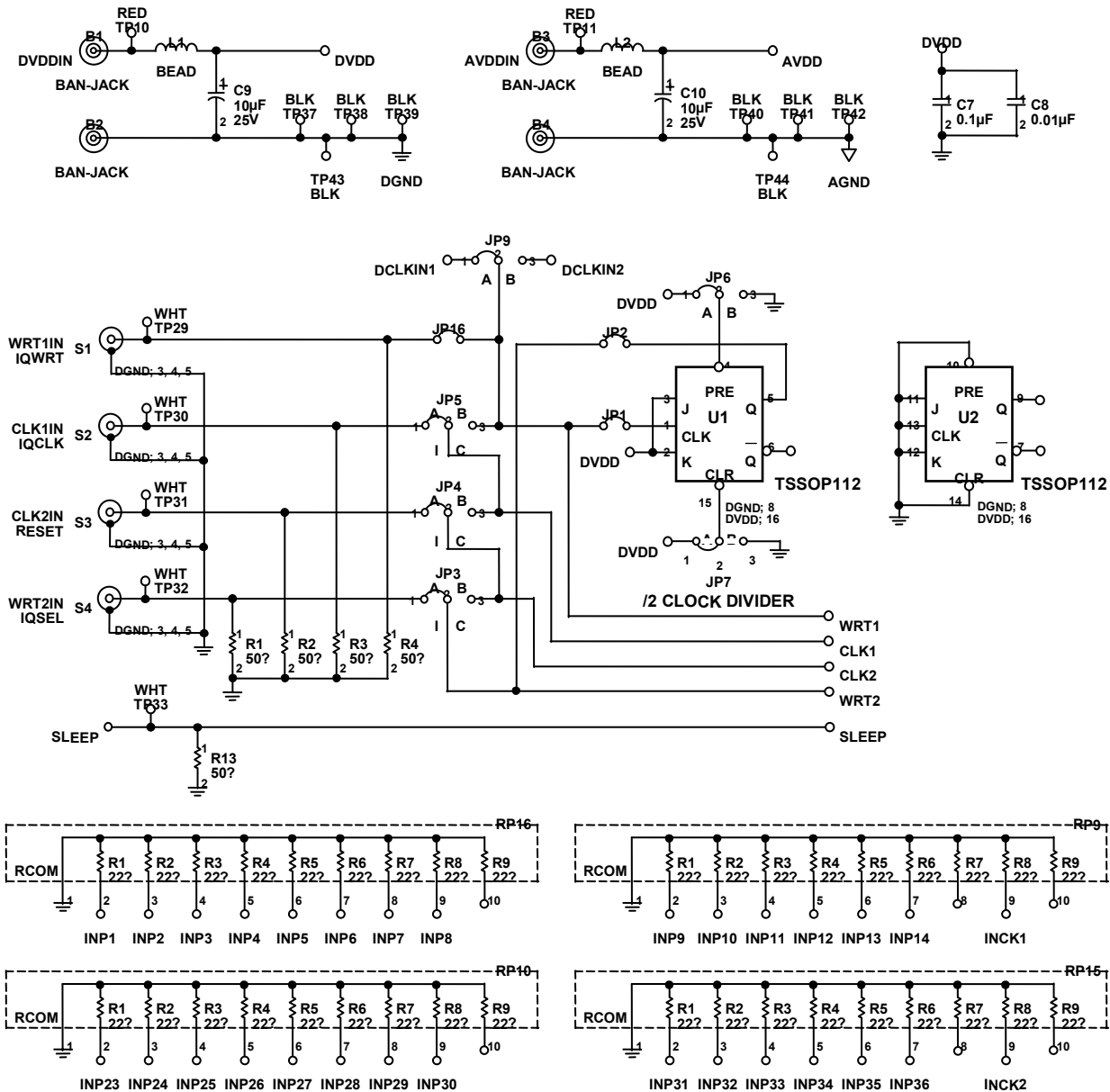


Figure 45. Power Decoupling and Clocks on AD9763 Evaluation Board

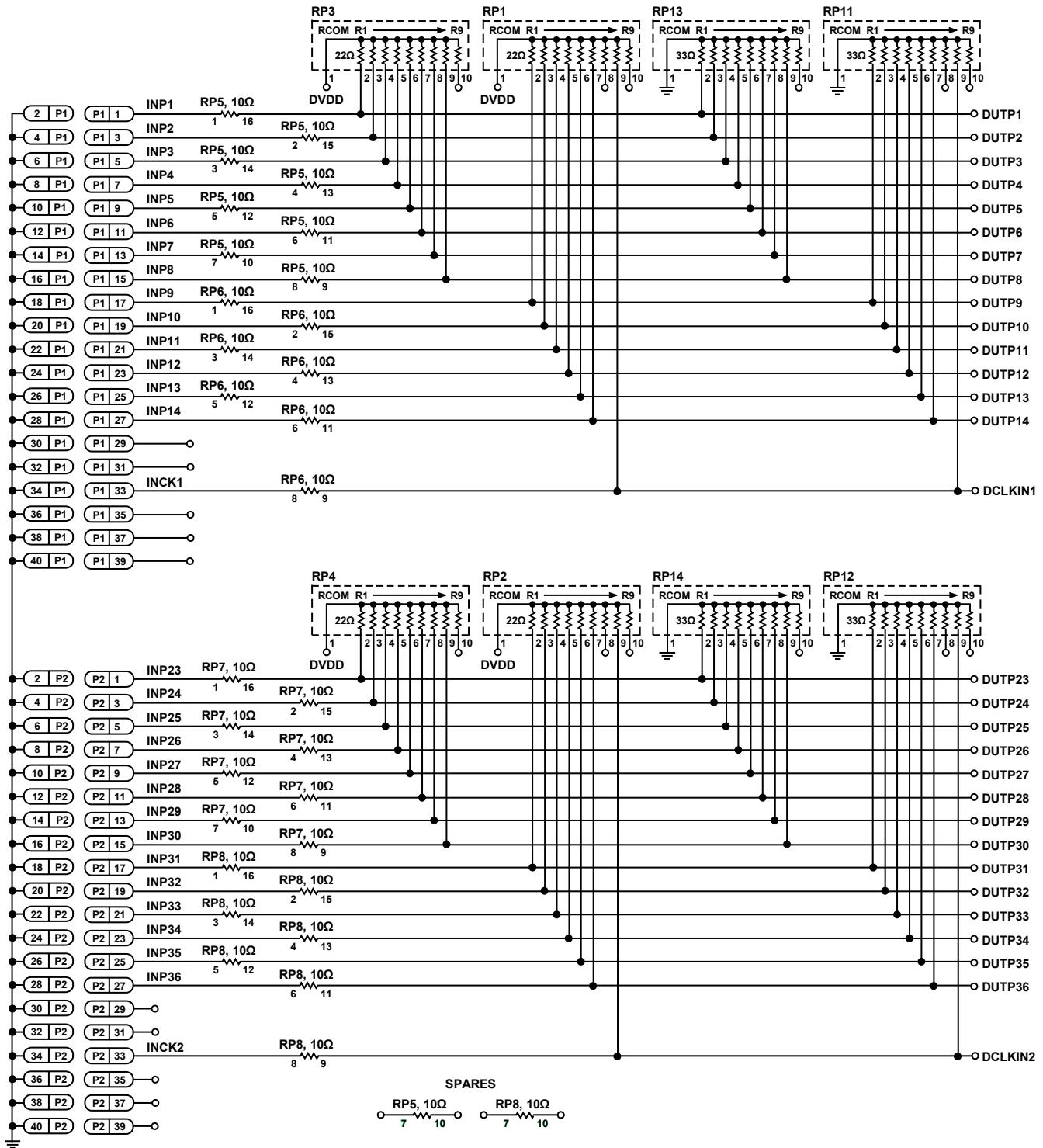


Figure 46. Digital Input Signal Conditioning



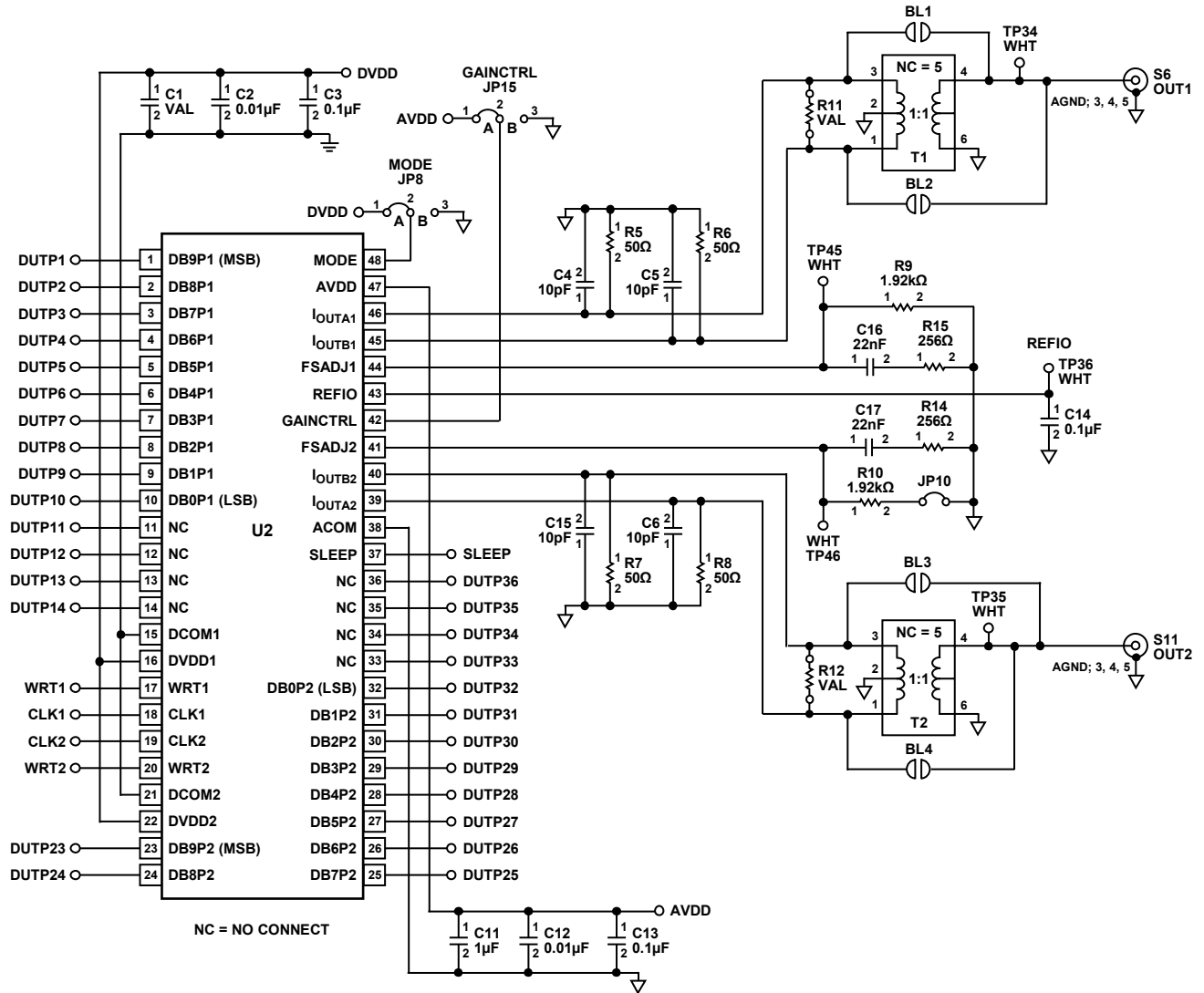


Figure 47. AD9763 and Output Signal Conditioning

00617-047

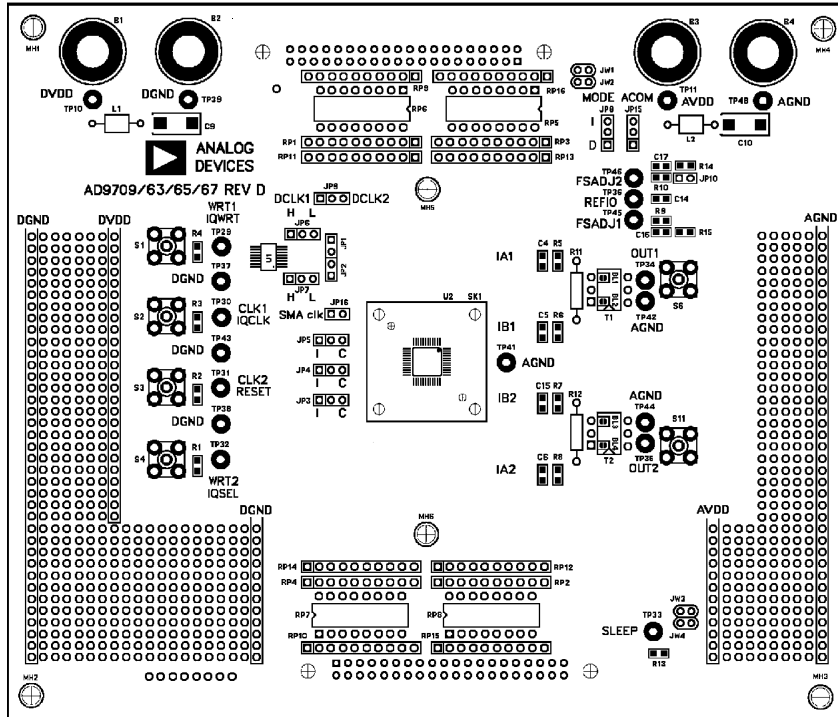


Figure 48. Assembly, Top Side

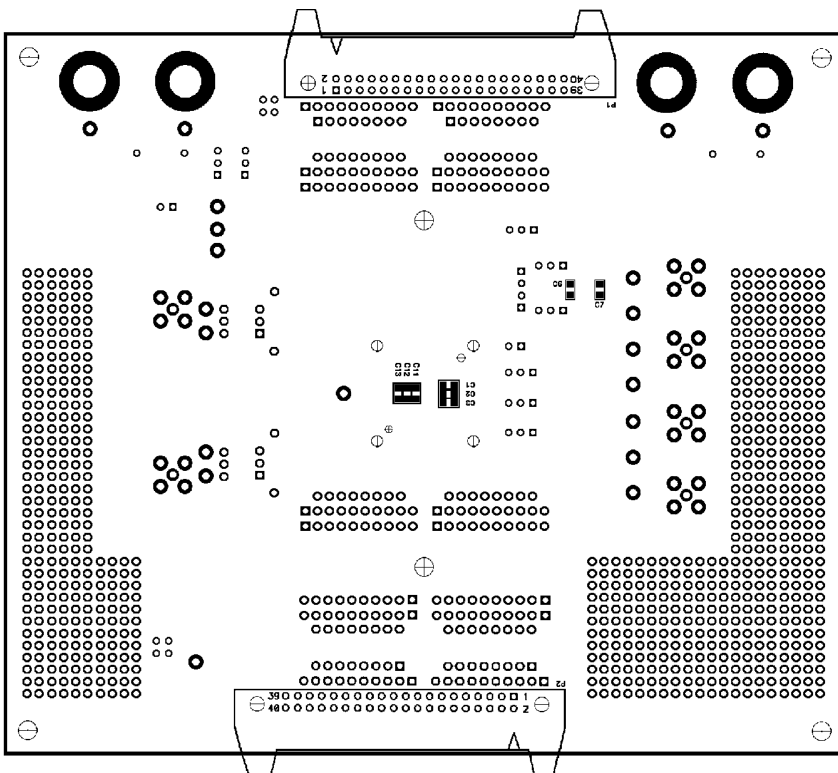


Figure 49. Assembly, Bottom Side

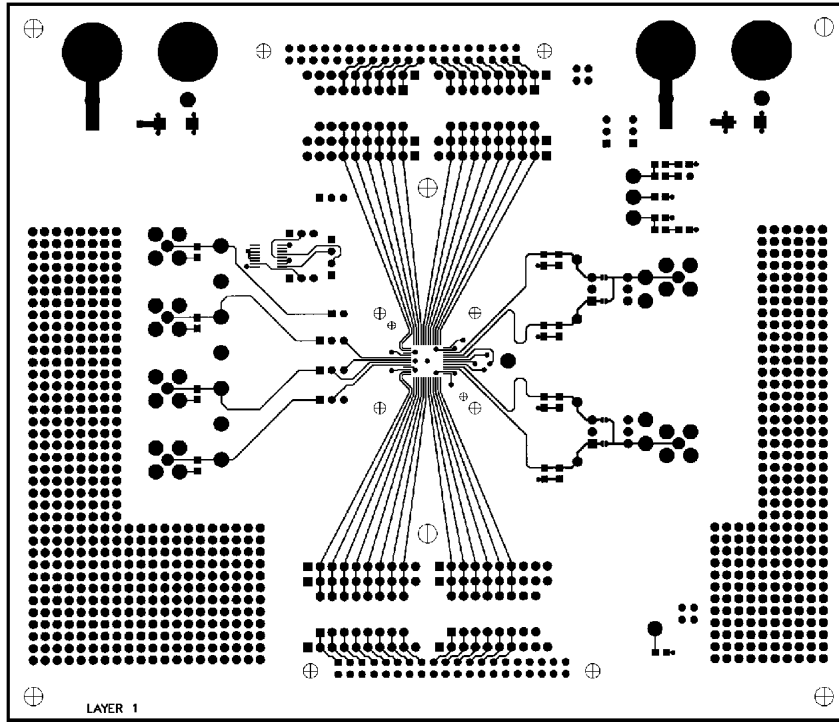


Figure 50. Layer 1, Top Side

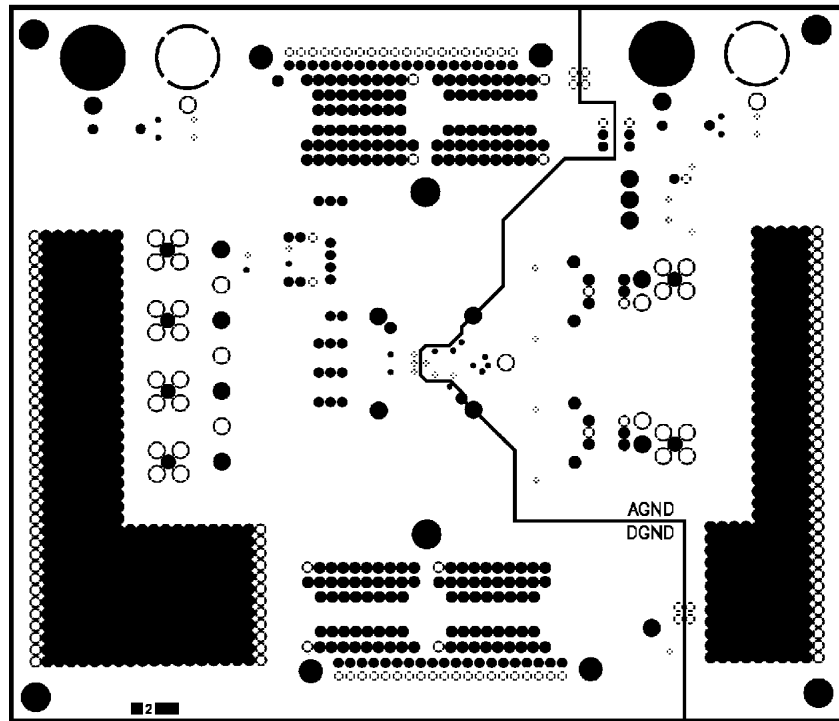


Figure 51. Layer 2, Ground Plane

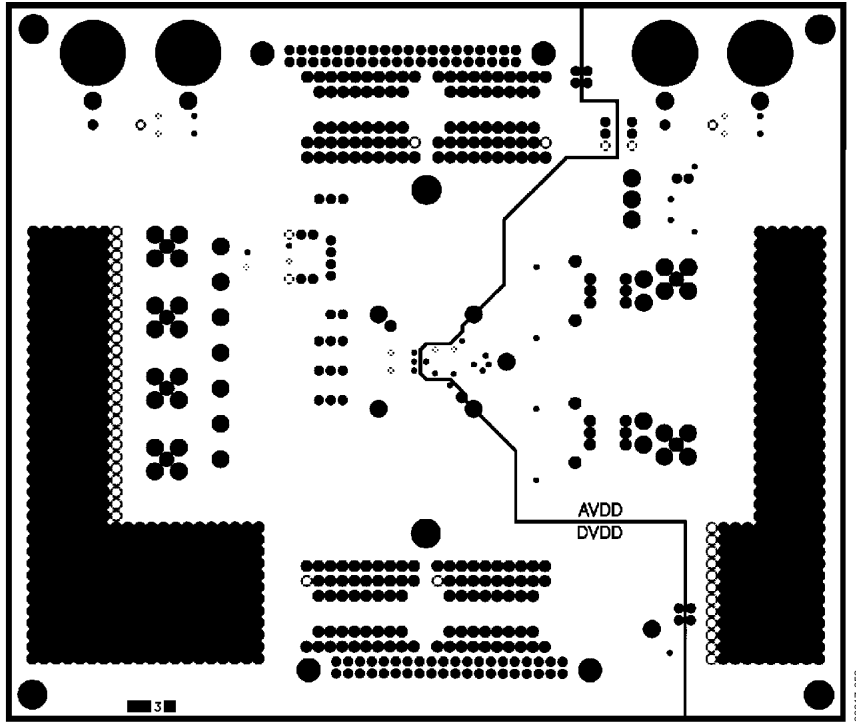


Figure 52. Layer 3, Power Plane

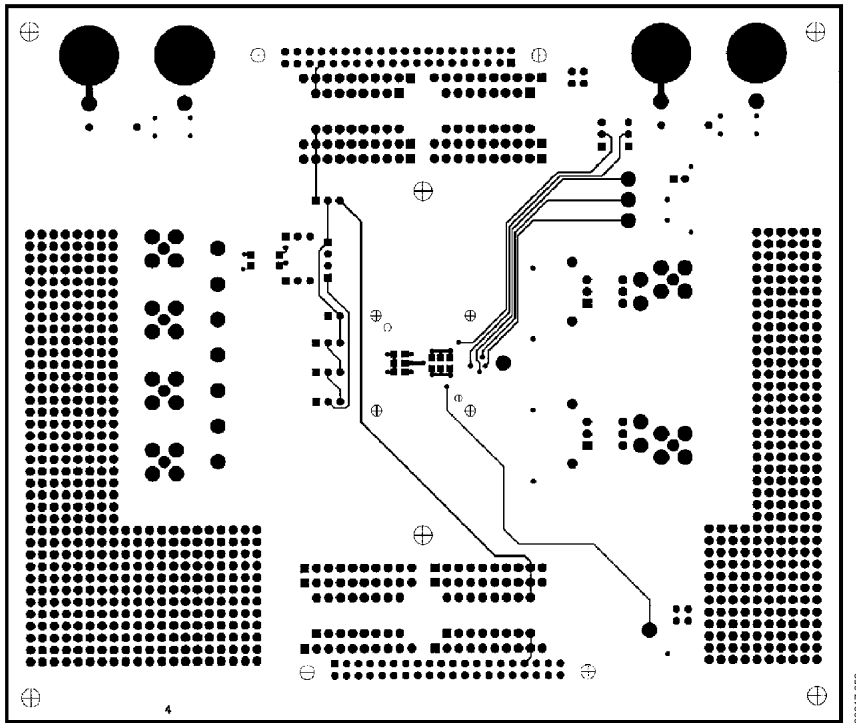
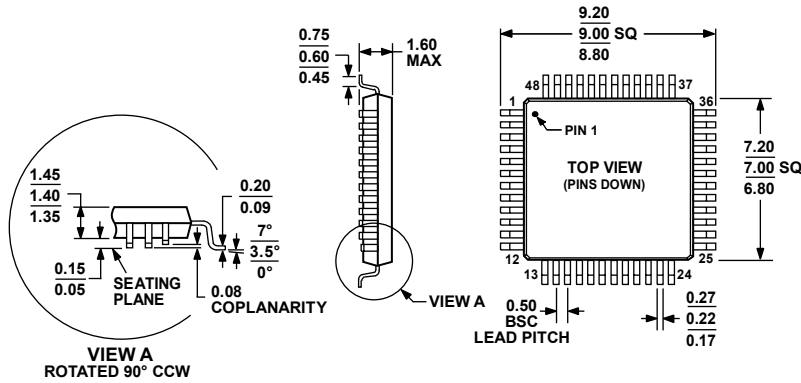


Figure 53. Layer 4, Bottom Side

# OUTLINE DIMENSIONS



COMPLIANT TO JEDEC STANDARDS MS-026-BBC

Figure 54. 48-Lead Low Profile Quad Flat Package [LQFP] (ST-48)

Dimensions shown in inches and millimeters

061706-A

## ORDERING GUIDE

Model	Temperature Range	Package Description	Package Option
AD9763AST	-40°C to +85°C	48-Lead Low Profile Quad Flat Package [LQFP]	ST-48
AD9763ASTRL	-40°C to +85°C	48-Lead Low Profile Quad Flat Package [LQFP]	ST-48
AD9763ASTZ <sup>1</sup>	-40°C to +85°C	48-Lead Low Profile Quad Flat Package [LQFP]	ST-48
AD9763ASTZRL <sup>1</sup>	-40°C to +85°C	48-Lead Low Profile Quad Flat Package [LQFP]	ST-48
AD9763-EB		Evaluation Board	

<sup>1</sup> Z = Pb-free part.

**AD9763**

**NOTES**

**NOTES**

**AD9763**

**NOTES**